



**BUILDING CODE COMPLIANCE OFFICE (BCCO)
PRODUCT CONTROL DIVISION**

**MIAMI-DADE COUNTY, FLORIDA
METRO-DADE FLAGLER BUILDING
140 WEST FLAGLER STREET, SUITE 1603
MIAMI, FLORIDA 33130-1563
(305) 375-2901 FAX (305) 375-2908
www.buildingcodeonline.com**

NOTICE OF ACCEPTANCE (NOA)

**Korus USA, Inc.
3607 N. 29th Avenue
Hollywood, FL 33020**

SCOPE:

This NOA is being issued under the applicable rules and regulations governing the use of construction materials. The documentation submitted has been reviewed by Miami-Dade County Product Control Division and accepted by the Board of Rules and Appeals (BORA) to be used in Miami Dade County and other areas where allowed by the Authority Having Jurisdiction (AHJ).

This NOA shall not be valid after the expiration date stated below. The Miami-Dade County Product Control Division (In Miami Dade County) and/or the AHJ (in areas other than Miami Dade County) reserve the right to have this product or material tested for quality assurance purposes. If this product or material fails to perform in the accepted manner, the manufacturer will incur the expense of such testing and the AHJ may immediately revoke, modify, or suspend the use of such product or material within their jurisdiction. BORA reserves the right to revoke this acceptance, if it is determined by Miami-Dade County Product Control Division that this product or material fails to meet the requirements of the applicable building code.

This product is approved as described herein, and has been designed to comply with the Florida Building Code, including the High Velocity Hurricane Zone.

DESCRIPTION: Series "KA" Aluminum Outswing French Door-LMI

APPROVAL DOCUMENT: Drawing No. **W08-31**, titled "Series KA Aluminum Outswing French Door", sheets 1 through 6 of 6, dated May 01, 2008, prepared by AL-Farooq Corporation, signed and sealed by Dr. Humayoun Farooq, P.E., bearing the Miami-Dade County Product Control approval stamp with the Notice of Acceptance number and approval date by the Miami-Dade County Product Control Division.

MISSILE IMPACT RATING: Large and Small Missile Impact

Limitations:

1. Single or double doors may be mulled with approved clipped mullion or sidelites or transom (under separate approvals), lower design rating shall apply and such installation to be reviewed & approved by AHJ.

LABELING: Each unit shall bear a permanent label with the manufacturer's name or logo, city, state and following statement: "Miami-Dade County Product Control Approved", unless otherwise noted herein.

RENEWAL of this NOA shall be considered after a renewal application has been filed and there has been no change in the applicable building code negatively affecting the performance of this product.

TERMINATION of this NOA will occur after the expiration date or if there has been a revision or change in the materials, use, and/or manufacture of the product or process. Misuse of this NOA as an endorsement of any product, for sales, advertising or any other purposes shall automatically terminate this NOA. Failure to comply with any section of this NOA shall be cause for termination and removal of NOA.

ADVERTISEMENT: The NOA number preceded by the words Miami-Dade County, Florida, and followed by the expiration date may be displayed in advertising literature. If any portion of the NOA is displayed, then it shall be done in its entirety.

INSPECTION: A copy of this entire NOA shall be provided to the user by the manufacturer or its distributors and shall be available for inspection at the job site at the request of the Building Official.

This NOA consists of this page 1 and evidence pages E-1, as well as approval document mentioned above. The submitted documentation was reviewed by **Ishaq I. Chanda, P.E.**



7/10/18

**NOA No 08-0512.17
Expiration Date: July 03, 2013
Approval Date: July 03, 2008
Page 1**

NOTICE OF ACCEPTANCE: EVIDENCE SUBMITTED

A. DRAWINGS

1. Manufacturer's die drawings and sections.
2. Drawing No. **W08-31**, titled "Series KA Aluminum Outswing French Door", sheets 1 through 6 of 6, dtd May 01, 2008, prepared by AL-Farooq Corporation, signed and sealed by Dr. Humayoun Farooq, P.E.

B. TESTS

1. Test reports on
 - 1) Air Infiltration Test, per FBC, TAS 202-94
 - 2) Uniform Static Air Pressure Test, Loading per FBC, TAS 202-94
 - 3) Water Resistance Test per FBC, TAS 202-94
 - 4) Forced Entry Test, per FBC 2411 3.2.1 and TAS 202-94
 - 5) Large Missile Impact Test per FBC, TAS 201-94
 - 6) Cyclic Wind Pressure Loading per FBC, TAS 203-94along with installation diagram of aluminum outswing door, prepared by Hurricane Testing Lab., Test Report No(s). **HTL- 0458-0606-07**, dated 04/25/08, signed and sealed by Vinu J. Abraham, P.E.

C. CALCULATIONS

1. Anchor Calculations and structural analysis, prepared by Al-Farooq Corp., dated May 01, 2008, signed and sealed by Dr. Humayoun Farooq, P.E.
2. Complies with ASTM E1300-98 & -02

D. QUALITY ASSURANCE

1. Miami Dade Building Code Compliance Office (BCCO).

E. MATERIAL CERTIFICATIONS

1. Notice of Acceptance No. **07-1116.04** issued to E.I. DuPont DeNemours for "SentryGlasPlus", expiring on 01/14/2012.
2. Notice of Acceptance No. **03-0415.03** issued to "Solutia Inc." for "Vanceva (T.M.), composite interlayer, expiring on 12/11/08.

F. STATEMENTS

1. Statement letter of conformance & no financial interest, dated May 01, 2008, signed and sealed by Dr. Humayoun Farooq, P.E.
2. Statement letter of lab compliance, part of above test reports.

G. OTHER

1. Test proposal # 04-0210 dated May 17, 2004, approved by BCCO.

Ishaq I. Chanda

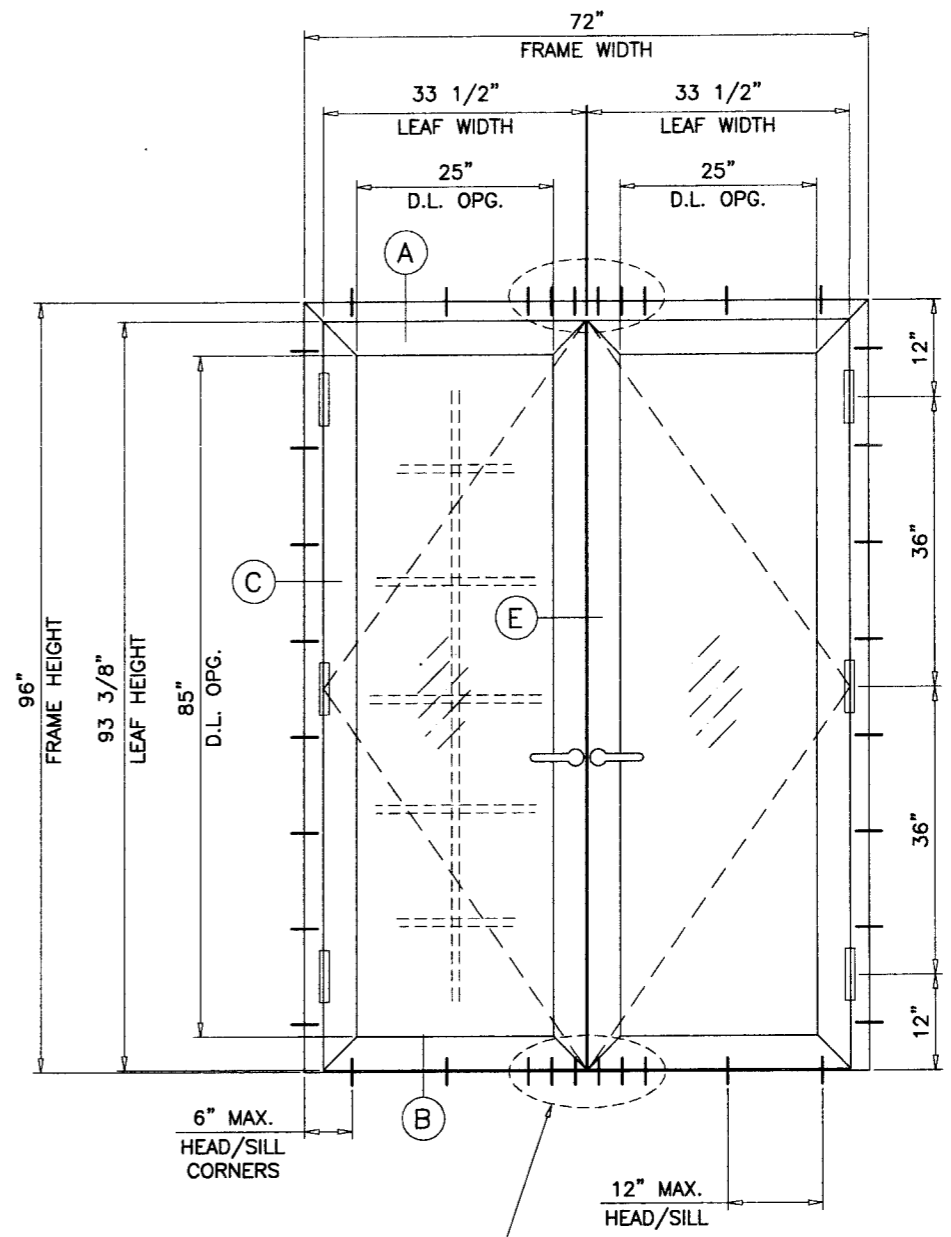
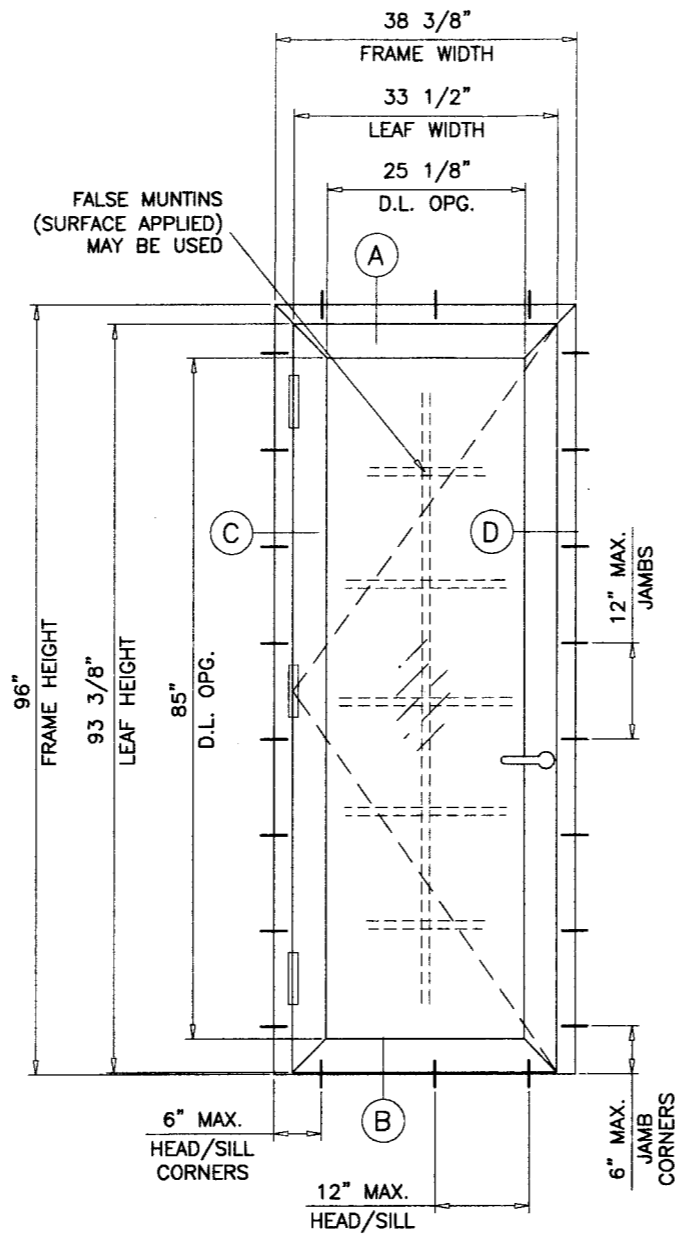
Ishaq I. Chanda, P.E.

Product Control Examiner

NOA No 08-0512.17

Expiration Date: July 03, 2013

Approval Date: July 03, 2008



TYPICAL ELEVATIONS

THESE DOORS ARE RATED FOR LARGE MISSILE IMPACT. SHUTTERS ARE NOT REQUIRED.

SERIES KA
ALUMINUM OUTSWING FRENCH DOOR

APPROVAL APPLIES TO SINGLE (X) AND DOUBLE (XX) LEAF DOORS. ALSO COMBINATION OF DOOR/DOOR OR DOOR WITH MIAMI-DADE COUNTY APPROVED SIDELITES & TRANSOMS BY USING MIAMI-DADE COUNTY APPROVED MULLIONS IN BETWEEN. LOWER DESIGN PRESSURES FROM DOOR, SIDELITE, TRANSOM OR MULLION APPROVAL WILL APPLY TO ENTIRE SYSTEM.

THIS PRODUCT HAS BEEN DESIGNED AND TESTED TO COMPLY WITH THE REQUIREMENTS OF THE FLORIDA BUILDING CODE 2004/2007 EDITION INCLUDING HIGH VELOCITY HURRICANE ZONE (HVHZ).

WOOD BUCKS BY OTHERS, MUST BE ANCHORED PROPERLY TO TRANSFER LOADS TO THE STRUCTURE.

ANCHORS SHALL BE AS LISTED, SPACED AS SHOWN ON DETAILS, ANCHORS EMBEDMENT TO BASE MATERIAL SHALL BE BEYOND WALL DRESSING OR STUCCO.

ANCHORING OR LOADING CONDITIONS NOT SHOWN IN THESE DETAILS ARE NOT PART OF THIS APPROVAL.

A LOAD DURATION INCREASE IN ALLOWABLE STRESS IS USED IN DESIGN OF ANCHORS INTO WOOD ONLY.

MATERIALS INCLUDING BUT NOT LIMITED TO STEEL/METAL SCREWS, THAT COME INTO CONTACT WITH OTHER DISSIMILAR MATERIALS SHALL MEET THE REQUIREMENTS OF 2004 FLORIDA BLDG. CODE SECTION 2003.8.4.

MAXIMUM DESIGN LOAD RATING = + 75.0 PSF
(FOR SIZES SHOWN ABOVE OR SMALLER) - 75.0 PSF

Engr. DR. HUMAYOUN FAROOQ
STRUCTURES
FLA. PE # 16557
C.A.N. 3538

MAY 01 2008

Approved as complying with the
Florida Building Code
Date July 03, 2013
NOA# 08-0567-10
Miami Dade Product Control
Division
By Shag I. Chanda

NOTE:
GLASS CAPACITIES ARE BASED ON
ASTM E1300-02/04 (3 SEC. GUSTS)
AND FLORIDA BUILDING COMMISSION
DECLARATORY STATEMENT DCA05-DEC-219



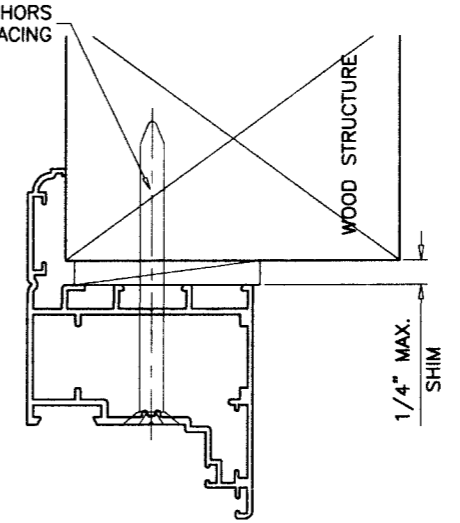
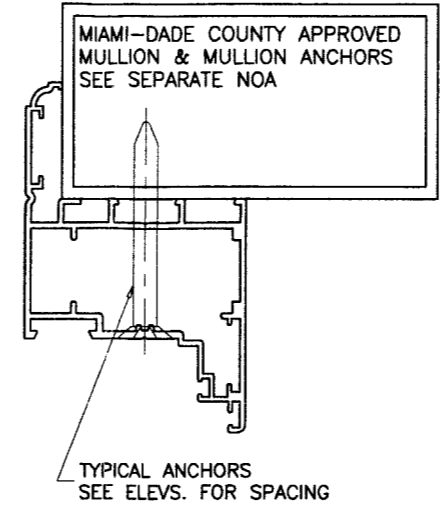
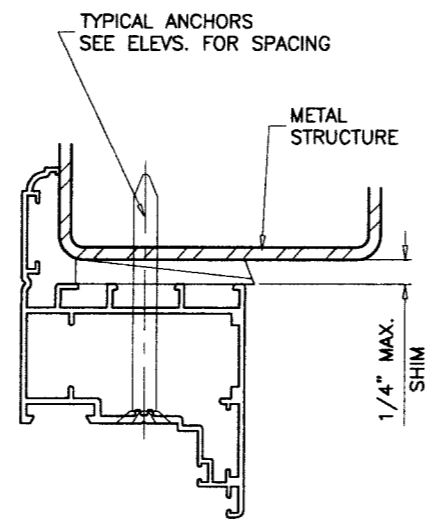
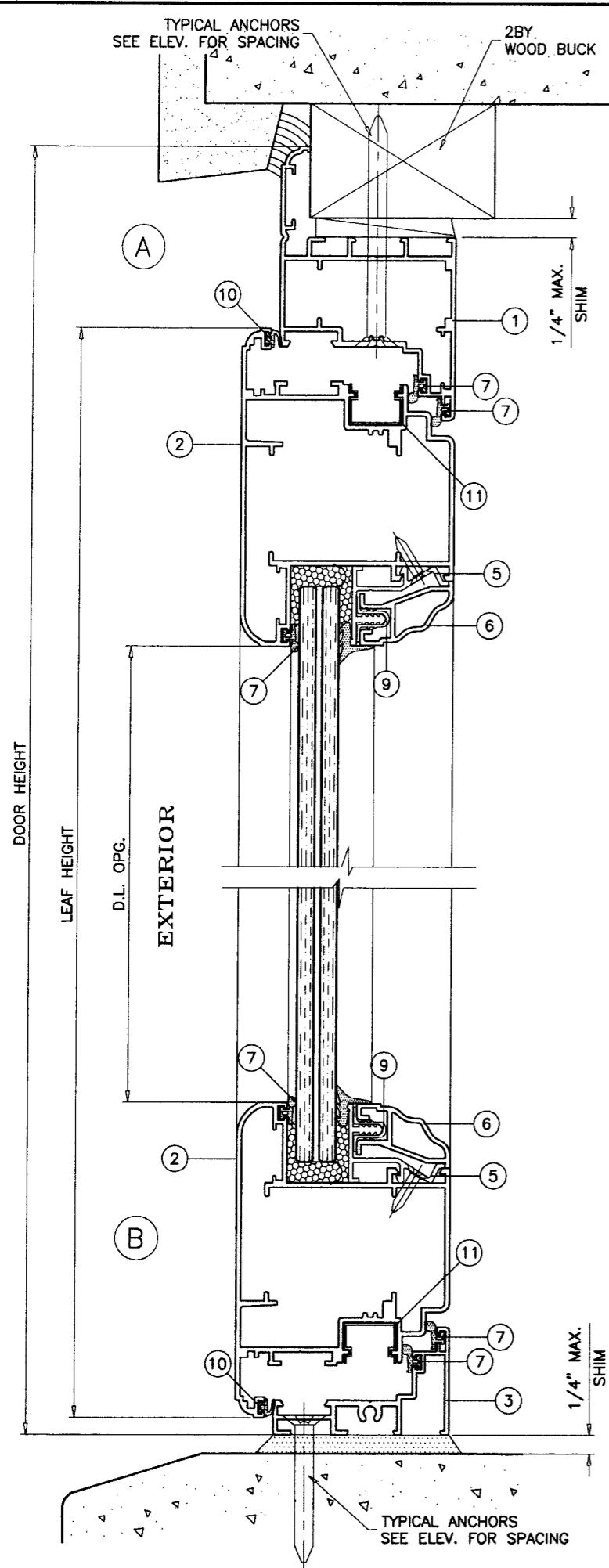
AL-FAROOQ CORPORATION
ENGINEERS & PRODUCT DEVELOPMENT
1235 S.W. 87 AVE
MIAMI, FLORIDA 33174
TEL. (305) 264-8100 FAX. (305) 262-6978
COMP-ANL\W08-31KUI

SERIES KA ALUMINUM OUTSWING FRENCH DOOR (L.M.I.)
KORUS USA INC.
3607 NORTH 29TH AVE.
HOLLYWOOD, FL. 33020
TEL. (954) 874-7040 FAX. (954) 874-7049

| no | date | by | description |
|----|------|----|-------------|
| | | | |
| | | | |
| | | | |

date: 03-25-08
scale: 1/2"=1'-0"
dr. by: HAMID
chk. by:

drawing no.
W08-31
sheet 1 of 6



WOOD BUCKS AND METAL STRUCTURE NOT BY KORUS MUST SUSTAIN LOADS IMPOSED BY GLAZING SYSTEM AND TRANSFER THEM TO THE BUILDING STRUCTURE.

TYPICAL ANCHORS: SEE ELEV. FOR SPACING

1/4" TAPCONS BY 'ELCO'

INTO 2BY WOOD BUCKS OR WOOD STRUCTURES WITH 1-3/8" MIN. PENETRATION INTO WOOD DIRECTLY INTO CONCRETE WITH 1-1/4" MIN. EMBED INTO CONC.

1/4" DIA. TEKS OR SELF DRILLING SCREWS

INTO METAL STRUCTURES
 STEEL : 12 GA. MIN. (Fy = 36 KSI MIN.)
 ALUMINUM : 1/8" THK. MIN. (6063-T5 MIN.)
 (STEEL IN CONTACT WITH ALUMINUM TO BE PLATED OR PAINTED)

#14 SMS OR SELF DRILLING SCREWS

INTO MIAMI-DADE COUNTY APPROVED MULLIONS (MIN. THK. = .090") (NO SHIM SPACE)

TYPICAL EDGE DISTANCE

INTO CONCRETE AND MASONRY = 1-1/2" MIN.
 INTO WOOD STRUCTURE = 3/4" MIN.
 INTO METAL STRUCTURE = 1/2" MIN.

SEALANTS:

VENT CORNERS SEALED WITH DOW CORNING 899 SEALANT.

Eng: DR. HUMAYOUN FAROOQ
 STRUCTURES
 FLA. PE # 16557
 C.A.N. 3538

MAY 01 2008

Approved as complying with the Florida Building Code
 Date: JULY 03, 2013
 NOA# 08-0512-17
 Miami Dade Product Control Division
 By: SHAH I. CHAUDHRY

af c

AL-FAROOQ CORPORATION
 ENGINEERS & PRODUCT DEVELOPMENT
 1235 S.W. 87 AVE
 MIAMI, FLORIDA 33174
 TEL. (305) 264-8100 FAX. (305) 262-6978
 COMP-ANL\W08-31KUI

SERIES KA ALUMINUM OUTSWING FRENCH DOOR (L.M.I.)

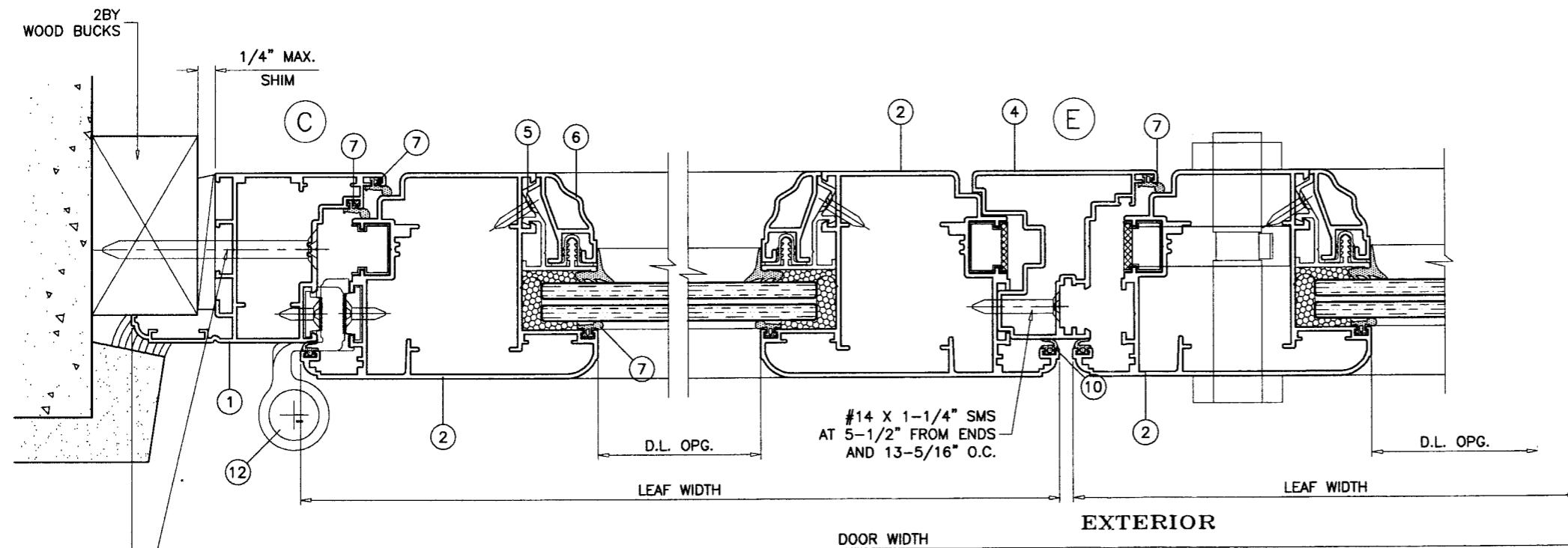
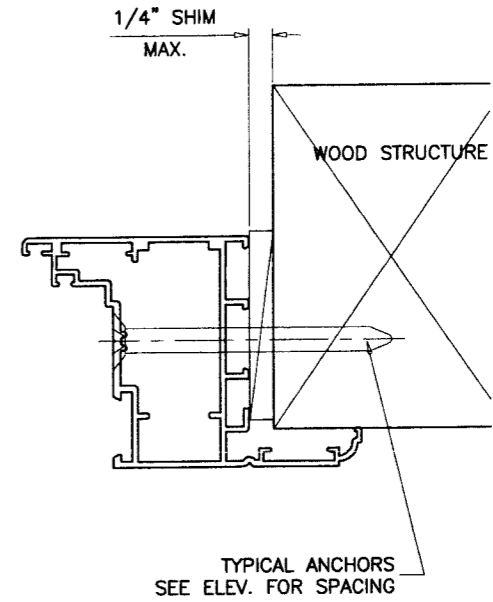
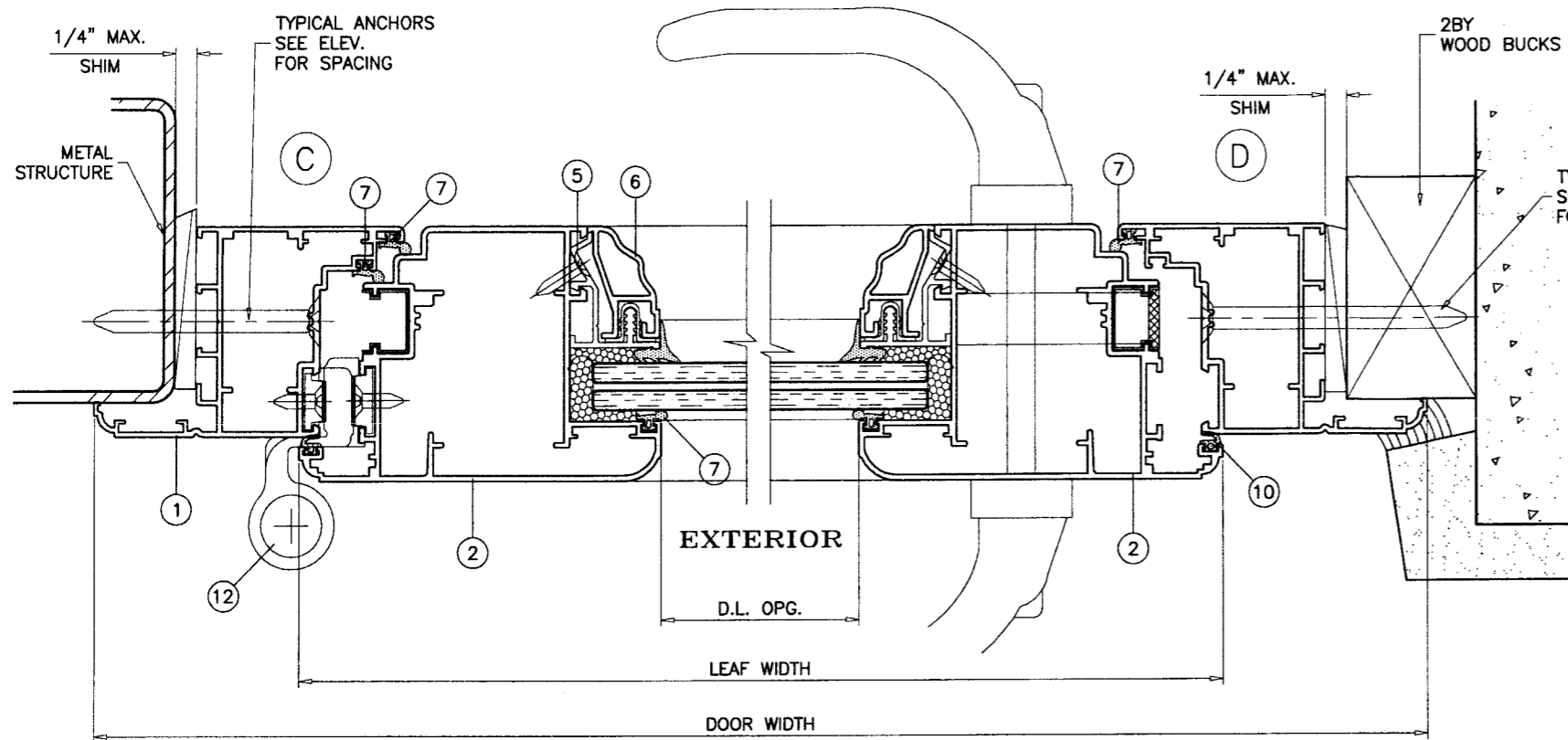
KORUS USA INC.
 3607 NORTH 29TH AVE.
 HOLLYWOOD, FL. 33020
 TEL. (954) 874-7040 FAX. (954) 874-7049

| revisions: | no | date | by | description |
|------------|----|------|----|-------------|
| | | | | |
| | | | | |
| | | | | |
| | | | | |

date: 03-25-08
 scale: 1/2" = 1"
 dr. by: HAMID
 chk. by:

drawing no.
W08-31

sheet 3 of 6



Approved as complying with the
 Florida Building Code
 Date JULY 03, 2013
 NOA# 08-0512-17
 Miami Dade Product Control
 Division
 By Shay L. Chanda

Engr. DR. HUMAYOON FAROOQ
 STRUCTURES
 FLA. PE # 16557
 C.A.N. 3538

11

MAY 01 2008

af c
AL-FAROOQ CORPORATION
 ENGINEERS & PRODUCT DEVELOPMENT
 1235 S.W. 87 AVE
 MIAMI, FLORIDA 33174
 TEL. (305) 264-8100 FAX. (305) 262-6978
 COMP-ANL W08-31KUI

SERIES KA ALUMINUM OUTSWING FRENCH DOOR (L.M.I.)
KORUS USA INC.
 3607 NORTH 29TH AVE.
 HOLLYWOOD, FL. 33020
 TEL. (954) 874-7040 FAX. (954) 874-7049

| revisions: | |
|------------|---------------------|
| no | date by description |
| | |
| | |
| | |
| | |
| | |

date: 03-25-08
 scale: 1/2" = 1"
 dr. by: HAMID
 chk. by:

drawing no.
W08-31
 sheet 4 of 6

