



BUILDING CODE COMPLIANCE OFFICE (BCCO)  
PRODUCT CONTROL DIVISION

MIAMI-DADE COUNTY, FLORIDA  
METRO-DADE FLAGLER BUILDING  
140 WEST FLAGLER STREET, SUITE 1603  
MIAMI, FLORIDA 33130-1563  
(305) 375-2901 FAX (305) 375-2908

[www.buldingcodeonline.com](http://www.buldingcodeonline.com)

**NOTICE OF ACCEPTANCE (NOA)**

**Korus USA, Inc.**  
3607 North 29<sup>th</sup> Avenue  
Hollywood, FL 33020

**SCOPE:**

This NOA is being issued under the applicable rules and regulations governing the use of construction materials. The documentation submitted has been reviewed by Miami-Dade County Product Control Division and accepted by the Board of Rules and Appeals (BORA) to be used in Miami Dade County and other areas where allowed by the Authority Having Jurisdiction (AHJ).

This NOA shall not be valid after the expiration date stated below. The Miami-Dade County Product Control Division (In Miami Dade County) and/or the AHJ (in areas other than Miami Dade County) reserve the right to have this product or material tested for quality assurance purposes. If this product or material fails to perform in the accepted manner, the manufacturer will incur the expense of such testing and the AHJ may immediately revoke, modify, or suspend the use of such product or material within their jurisdiction. BORA reserves the right to revoke this acceptance, if it is determined by Miami-Dade County Product Control Division that this product or material fails to meet the requirements of the applicable building code.

This product is approved as described herein, and has been designed to comply with the Florida Building Code, including the High Velocity Hurricane Zone.

**DESCRIPTION: Series Firenze – Venezia – Roma Aluminum Fixed Window – L.M.I.**

**APPROVAL DOCUMENT:** Drawing No. **W07-69**, titled "Firenze – Venezia - Roma Alum. Fixed Wdw. (L.M.I.)", sheets 1 through 5 of 5, dated 09/13/07, prepared by Al-Farooq Corporation, signed and sealed by Humayoun Farooq, P.E., bearing the Miami-Dade County Product Control Approval stamp with the Notice of Acceptance number and approval date by the Miami-Dade County Product Control Division.

**MISSILE IMPACT RATING: Large and Small Missile Impact Resistant**

**LABELING:** Each unit shall bear a permanent label with the manufacturer's name or logo, city, state and following statement: "Miami-Dade County Product Control Approved", unless otherwise noted herein.

**RENEWAL** of this NOA shall be considered after a renewal application has been filed and there has been no change in the applicable building code negatively affecting the performance of this product.

**TERMINATION** of this NOA will occur after the expiration date or if there has been a revision or change in the materials, use, and/or manufacture of the product or process. Misuse of this NOA as an endorsement of any product, for sales, advertising or any other purposes shall automatically terminate this NOA. Failure to comply with any section of this NOA shall be cause for termination and removal of NOA.

**ADVERTISEMENT:** The NOA number preceded by the words Miami-Dade County, Florida, and followed by the expiration date may be displayed in advertising literature. If any portion of the NOA is displayed, then it shall be done in its entirety.

**INSPECTION:** A copy of this entire NOA shall be provided to the user by the manufacturer or its distributors and shall be available for inspection at the job site at the request of the Building Official. This NOA consists of this page 1 and evidence page E-1, as well as approval document mentioned above. The submitted documentation was reviewed by **Manuel Perez, P.E.**



NOA No. 07-1029.04  
Expiration Date: January 10, 2012  
Approval Date: January 10, 2007  
Page 1

**NOTICE OF ACCEPTANCE: EVIDENCE SUBMITTED**

**A. DRAWINGS**

1. Manufacturer's die drawings and sections.
2. Drawing No **W07-69**, Sheets 1 through 5 of 5, titled "Firenze – Venezia - Roma Alum. Fixed Wdw. (L.M.I.)", dated 09/13/07, prepared by Al-Farooq Corporation, signed and sealed by Humayoun Farooq, P.E.

**B. TESTS**

1. Test reports on: 1) Air Infiltration Test, per FBC, TAS 202-94  
2) Uniform Static Air Pressure Test, Loading per FBC TAS 202-94  
3) Water Resistance Test, per FBC, TAS 202-94  
4) Large Missile Impact Test per FBC, TAS 201-94  
5) Cyclic Wind Pressure Loading per FBC, TAS 203-94  
along with marked-up drawings and installation diagram of aluminum fixed windows rectangular, round top and eyebrow top, **specimens #5, #8, #10, #11 & #12**, prepared by Hurricane test Laboratory LLC, Test Reports No. **HTL-0458-0108-07** and **HTL-0458-0605-07**, dated 3/8/07 to 6/19/07, signed and sealed by Vinu J. Abraham, P.E.

**C. CALCULATIONS**

1. Anchor verification calculations and structural analysis, complying with FBC-2004, prepared by Al-Farooq Corporation, dated 10/09/07, signed and sealed by Humayoun Farooq, P.E. **Complies with ASTM E1300-02**

**D. QUALITY ASSURANCE**

1. Miami Dade Building Code Compliance Office (BCCO).

**E. MATERIAL CERTIFICATIONS**

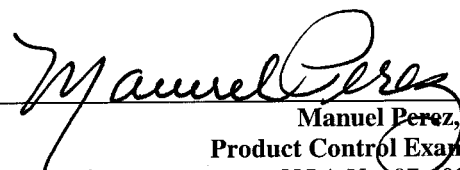
1. Notice of Acceptance No. **06-1205.10** issued to E.I. DuPont DeNemours & Co., Inc. for their "**DuPont Sentry Glass @ Plus**" dated 02/15/07, expiring on 01/14/08.
2. Notice of Acceptance No. **03-0415.13** issued to Solutia Inc. for their "**Vanceva Composites used for lamination of glass**" dated 12/11/03, expiring on 12/11/08.

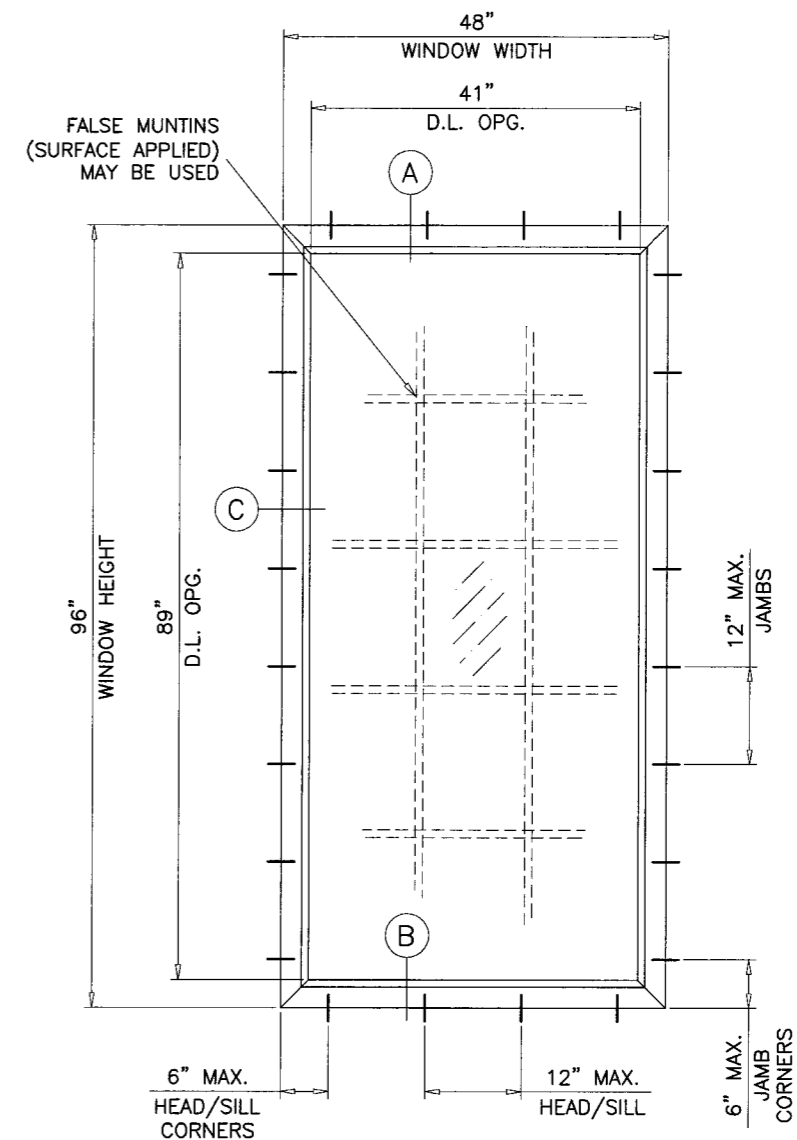
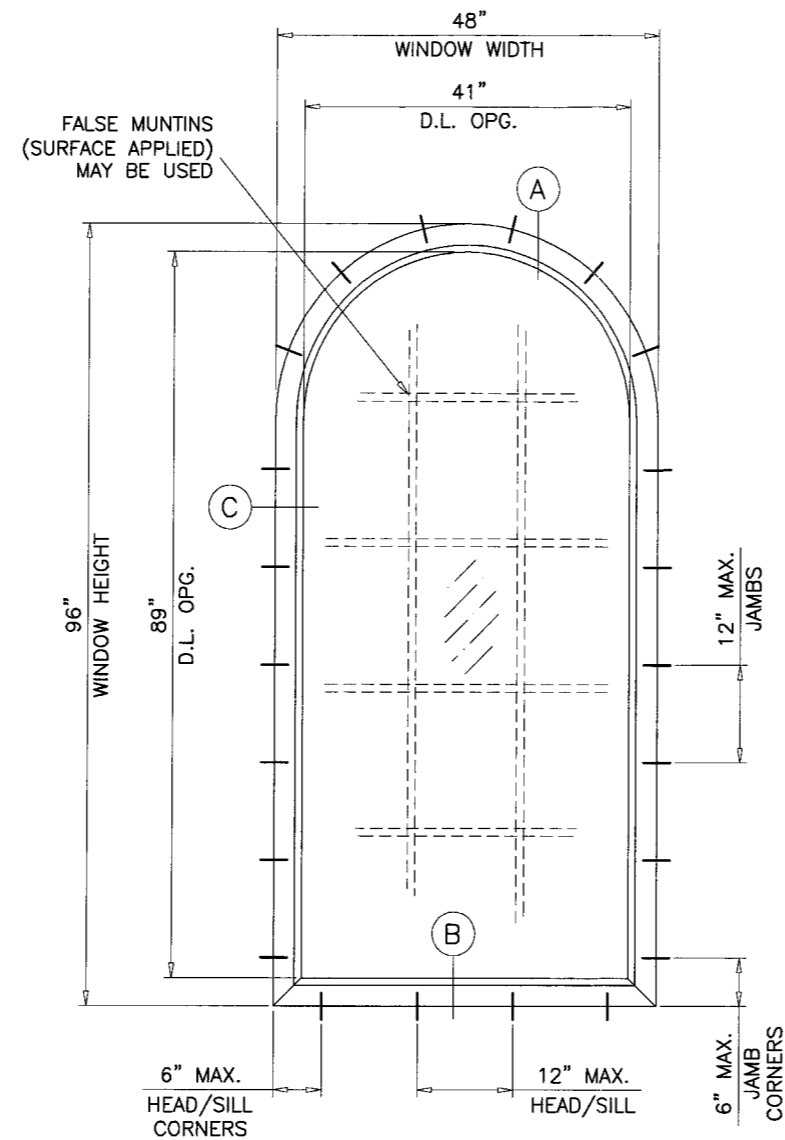
**F. STATEMENTS**

1. Statement letter of conformance, dated October 10, 2007, signed and sealed by Humayoun Farooq, P.E.
2. Statement letter of no financial interest, dated October 10, 2007, signed and sealed by Humayoun Farooq, P.E.
3. Laboratory compliance letter for Test Report no. HTL-07004, issued by Hurricane Test Laboratory, Inc., dated 10/08/07, signed and sealed by Vinu J. Abraham, P.E.

**G. OTHER**

1. None.

  
Manuel Perez, P.E.  
Product Control Examiner  
NOA No. 07-1029.04  
Expiration Date: January 10, 2012  
Approval Date: January 10, 2007



TYPICAL ELEVATIONS  
TESTED UNITS

**FIRENZE-VENEZIA-ROMA  
ALUMINUM FIXED WINDOW**

APPROVAL APPLIES TO SINGLE UNITS OR SIDE BY SIDE COMBINATIONS OF FIXED/FIXED OR FIXED WITH OTHER MIAMI-DADE COUNTY APPR'D WINDOWS USING MIAMI-DADE COUNTY APPROVED MULLIONS IN BETWEEN. LOWER DESIGN PRESSURE FROM WINDOWS OR MULLION APPROVAL WILL APPLY TO ENTIRE SYSTEM.

DESIGN LOAD RATING FOR THESE WINDOWS TO BE AS PER CHARTS SHOWN ON SHEET 2.

THIS PRODUCT HAS BEEN DESIGNED AND TESTED TO COMPLY WITH THE REQUIREMENTS OF THE FLORIDA BUILDING CODE 2004 EDITION INCLUDING HIGH VELOCITY HURRICANE ZONE (HVHZ).

WOOD BUCKS BY OTHERS, MUST BE ANCHORED PROPERLY TO TRANSFER LOADS TO THE STRUCTURE.

ANCHORS SHALL BE AS LISTED, SPACED AS SHOWN ON DETAILS, ANCHORS EMBEDMENT TO BASE MATERIAL SHALL BE BEYOND WALL DRESSING OR STUCCO.

ANCHORING OR LOADING CONDITIONS NOT SHOWN IN THESE DETAILS ARE NOT PART OF THIS APPROVAL.

A LOAD DURATION INCREASE IN ALLOWABLE STRESS IS USED IN DESIGN OF ANCHORS INTO WOOD ONLY.

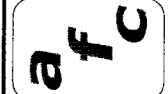
MATERIALS INCLUDING BUT NOT LIMITED TO STEEL/METAL SCREWS, THAT COME INTO CONTACT WITH OTHER DISSIMILAR MATERIALS SHALL MEET THE REQUIREMENTS OF 2004 FLORIDA BLDG. CODE SECTION 2003.8.4.

THESE WINDOWS ARE RATED FOR LARGE MISSILE IMPACT. SHUTTERS ARE NOT REQUIRED.

Engr: DR. HUMAYOUN FAROOQ  
STRUCTURES  
FLA. PE # 16557  
C.A.N. 3538

Approved as complying with the  
Florida Building Code  
Date JAN 10 2008  
NOA# 07-1029-04  
Miami Dade Product Control  
Division  
By Muhammad Peres

DEC 10 2007



**AL-FAROOQ CORPORATION**  
ENGINEERS & PRODUCT DEVELOPMENT  
1235 S.W. 87 AVE  
MIAMI, FLORIDA 33174  
TEL. (305) 264-8100 FAX. (305) 262-6978

FIRENZE-VENEZIA-ROMA ALUM FIXED WDW. (L.M.I.)

**KORUS USA INC.**

3607 N. 29TH AVE.  
HOLLYWOOD, FL. 33020  
TEL. (954) 888-9370 FAX. (954) 888-9371

revisions:  
no date by description

date: 09-13-07  
scale: 1/2"=1'-0"

dr. by: HAMID

chk. by:

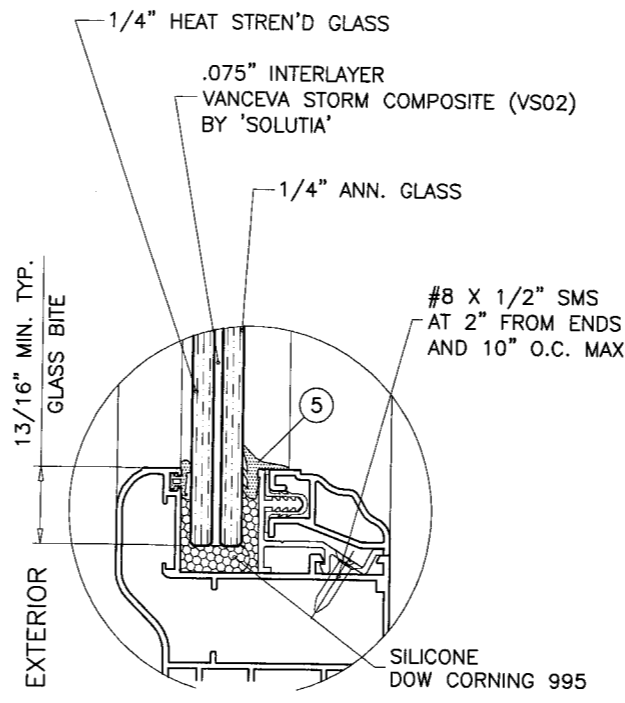
drawing no.  
**W07-69**

sheet 1 of 5

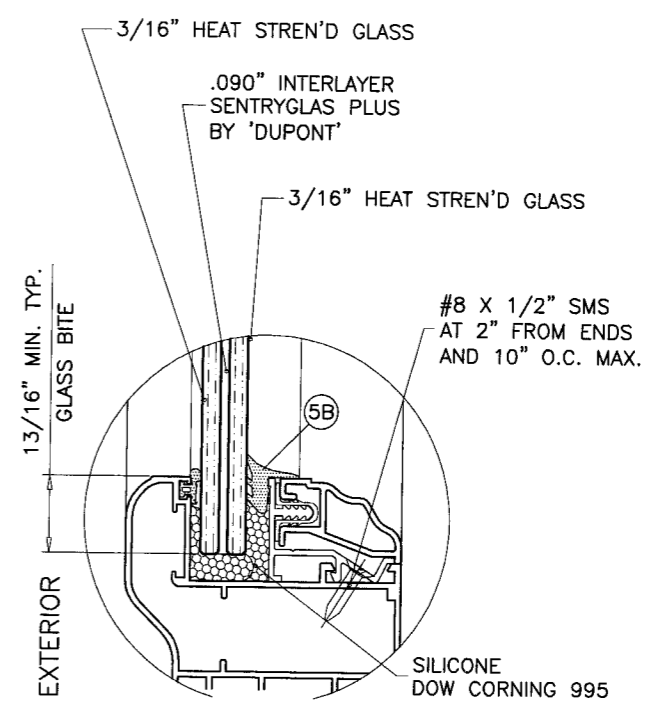
COMP-ANL\W07-69KUJ

| DESIGN LOAD CAPACITY - PSF |         |                |         |                |         |
|----------------------------|---------|----------------|---------|----------------|---------|
| WINDOW DIMS.               |         | GLASS TYPE 'A' |         | GLASS TYPE 'B' |         |
| WIDTH                      | LENGTH  | EXT.(+)        | INT.(-) | EXT.(+)        | INT.(-) |
| 26-1/2"                    | 26"     | 75.0           | 75.0    | 75.0           | 75.0    |
| 32"                        |         | 75.0           | 75.0    | 75.0           | 75.0    |
| 37"                        |         | 75.0           | 75.0    | 75.0           | 75.0    |
| 42"                        |         | 75.0           | 75.0    | 75.0           | 75.0    |
| 48"                        |         | 75.0           | 75.0    | 75.0           | 75.0    |
| 53-1/8"                    |         | 75.0           | 75.0    | 75.0           | 75.0    |
| 26-1/2"                    | 38-3/8" | 75.0           | 75.0    | 75.0           | 75.0    |
| 32"                        |         | 75.0           | 75.0    | 75.0           | 75.0    |
| 37"                        |         | 75.0           | 75.0    | 75.0           | 75.0    |
| 42"                        |         | 75.0           | 75.0    | 75.0           | 75.0    |
| 48"                        |         | 75.0           | 75.0    | 75.0           | 75.0    |
| 53-1/8"                    |         | 75.0           | 75.0    | 75.0           | 75.0    |
| 26-1/2"                    | 50-5/8" | 75.0           | 75.0    | 75.0           | 75.0    |
| 32"                        |         | 75.0           | 75.0    | 75.0           | 75.0    |
| 37"                        |         | 75.0           | 75.0    | 75.0           | 75.0    |
| 42"                        |         | 75.0           | 75.0    | 75.0           | 75.0    |
| 48"                        |         | 75.0           | 75.0    | 75.0           | 75.0    |
| 53-1/8"                    |         | 71.1           | 71.1    | 71.1           | 71.1    |
| 26-1/2"                    | 63"     | 75.0           | 75.0    | 75.0           | 75.0    |
| 32"                        |         | 75.0           | 75.0    | 75.0           | 75.0    |
| 37"                        |         | 75.0           | 75.0    | 75.0           | 75.0    |
| 42"                        |         | 75.0           | 75.0    | 75.0           | 75.0    |
| 48"                        |         | 75.0           | 75.0    | 75.0           | 75.0    |
| 53-1/8"                    |         | 67.8           | 67.8    | 67.8           | 67.8    |
| 26-1/2"                    | 74-1/4" | 75.0           | 75.0    | 75.0           | 75.0    |
| 32"                        |         | 75.0           | 75.0    | 75.0           | 75.0    |
| 37"                        |         | 75.0           | 75.0    | 75.0           | 75.0    |
| 42"                        |         | 75.0           | 75.0    | 75.0           | 75.0    |
| 48"                        |         | 75.0           | 75.0    | 75.0           | 75.0    |
| 53-1/8"                    |         | 67.8           | 67.8    | 67.8           | 67.8    |
| 26-1/2"                    | 78"     | 75.0           | 75.0    | 75.0           | 75.0    |
| 32"                        |         | 75.0           | 75.0    | 75.0           | 75.0    |
| 37"                        |         | 75.0           | 75.0    | 75.0           | 75.0    |
| 42"                        |         | 75.0           | 75.0    | 75.0           | 75.0    |
| 48"                        |         | 75.0           | 75.0    | 75.0           | 75.0    |
| 53-1/8"                    |         | 67.8           | 67.8    | 67.8           | 67.8    |
| 26-1/2"                    | 84"     | 75.0           | 75.0    | 75.0           | 75.0    |
| 32"                        |         | 75.0           | 75.0    | 75.0           | 75.0    |
| 37"                        |         | 75.0           | 75.0    | 75.0           | 75.0    |
| 42"                        |         | 75.0           | 75.0    | 75.0           | 75.0    |
| 48"                        |         | 75.0           | 75.0    | 75.0           | 75.0    |
| 53-1/8"                    |         | 67.8           | 67.8    | 67.8           | 67.8    |
| 26-1/2"                    | 96"     | 75.0           | 75.0    | 75.0           | 75.0    |
| 32"                        |         | 75.0           | 75.0    | 75.0           | 75.0    |
| 37"                        |         | 75.0           | 75.0    | 75.0           | 75.0    |
| 42"                        |         | 75.0           | 75.0    | 75.0           | 75.0    |
| 48"                        |         | 75.0           | 75.0    | 75.0           | 75.0    |

| DESIGN LOAD CAPACITY - PSF |        |                |         |                |         |
|----------------------------|--------|----------------|---------|----------------|---------|
| WINDOW DIMS.               |        | GLASS TYPE 'A' |         | GLASS TYPE 'B' |         |
| WIDTH                      | LENGTH | EXT.(+)        | INT.(-) | EXT.(+)        | INT.(-) |
| 24"                        | 36"    | 75.0           | 75.0    | 75.0           | 75.0    |
| 30"                        |        | 75.0           | 75.0    | 75.0           | 75.0    |
| 36"                        |        | 75.0           | 75.0    | 75.0           | 75.0    |
| 42"                        |        | 75.0           | 75.0    | 75.0           | 75.0    |
| 48"                        |        | 75.0           | 75.0    | 75.0           | 75.0    |
| 54"                        |        | 75.0           | 75.0    | 75.0           | 75.0    |
| 60"                        |        | 75.0           | 75.0    | 75.0           | 75.0    |
| 24"                        | 48"    | 75.0           | 75.0    | 75.0           | 75.0    |
| 30"                        |        | 75.0           | 75.0    | 75.0           | 75.0    |
| 36"                        |        | 75.0           | 75.0    | 75.0           | 75.0    |
| 42"                        |        | 75.0           | 75.0    | 75.0           | 75.0    |
| 48"                        |        | 75.0           | 75.0    | 75.0           | 75.0    |
| 54"                        |        | 75.0           | 75.0    | 75.0           | 75.0    |
| 60"                        |        | 75.0           | 75.0    | 75.0           | 75.0    |
| 24"                        | 60"    | 75.0           | 75.0    | 75.0           | 75.0    |
| 30"                        |        | 75.0           | 75.0    | 75.0           | 75.0    |
| 36"                        |        | 75.0           | 75.0    | 75.0           | 75.0    |
| 42"                        |        | 75.0           | 75.0    | 75.0           | 75.0    |
| 48"                        |        | 75.0           | 75.0    | 75.0           | 75.0    |
| 54"                        |        | 66.7           | 66.7    | 66.7           | 66.7    |
| 60"                        |        | 60.0           | 60.0    | 60.0           | 60.0    |
| 24"                        | 72"    | 75.0           | 75.0    | 75.0           | 75.0    |
| 30"                        |        | 75.0           | 75.0    | 75.0           | 75.0    |
| 36"                        |        | 75.0           | 75.0    | 75.0           | 75.0    |
| 42"                        |        | 75.0           | 75.0    | 75.0           | 75.0    |
| 48"                        |        | 75.0           | 75.0    | 75.0           | 75.0    |
| 54"                        |        | 66.7           | 66.7    | 66.7           | 66.7    |
| 60"                        |        | 60.0           | 60.0    | 60.0           | 60.0    |
| 24"                        | 84"    | 75.0           | 75.0    | 75.0           | 75.0    |
| 30"                        |        | 75.0           | 75.0    | 75.0           | 75.0    |
| 36"                        |        | 75.0           | 75.0    | 75.0           | 75.0    |
| 42"                        |        | 75.0           | 75.0    | 75.0           | 75.0    |
| 48"                        |        | 75.0           | 75.0    | 75.0           | 75.0    |
| 54"                        |        | 66.7           | 66.7    | 66.7           | 66.7    |
| 60"                        |        | 60.0           | 60.0    | 60.0           | 60.0    |
| 24"                        | 96"    | 75.0           | 75.0    | 75.0           | 75.0    |
| 30"                        |        | 75.0           | 75.0    | 75.0           | 75.0    |
| 36"                        |        | 75.0           | 75.0    | 75.0           | 75.0    |
| 42"                        |        | 75.0           | 75.0    | 75.0           | 75.0    |
| 48"                        |        | 75.0           | 75.0    | 75.0           | 75.0    |
| 54"                        |        | 66.7           | 66.7    | 66.7           | 66.7    |
| 60"                        |        | 60.0           | 60.0    | 60.0           | 60.0    |
| 24"                        | 108"   | 75.0           | 75.0    | 75.0           | 75.0    |
| 30"                        |        | 75.0           | 75.0    | 75.0           | 75.0    |
| 36"                        |        | 75.0           | 75.0    | 75.0           | 75.0    |
| 42"                        |        | 75.0           | 75.0    | 75.0           | 75.0    |
| 48"                        |        | 75.0           | 75.0    | 75.0           | 75.0    |
| 54"                        |        | 66.7           | 66.7    | 66.7           | 66.7    |
| 60"                        |        | 60.0           | 60.0    | 60.0           | 60.0    |
| 24"                        | 120"   | 75.0           | 75.0    | 75.0           | 75.0    |
| 30"                        |        | 75.0           | 75.0    | 75.0           | 75.0    |
| 36"                        |        | 75.0           | 75.0    | 75.0           | 75.0    |
| 42"                        |        | 75.0           | 75.0    | 75.0           | 75.0    |

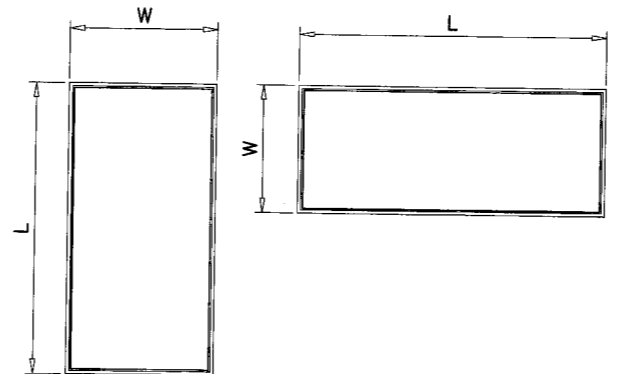


GLASS TYPE 'A'



GLASS TYPE 'B'

GLAZING OPTIONS



NOTE: WIDTH AND LENGTH DIMENSIONS CAN BE ORIENTED VERTICALLY OR HORIZONTALLY AS SHOWN ABOVE.

NOTE: GLASS CAPACITIES ON THIS SHEET ARE BASED ON ASTM E1300-02 (3 SEC. GUSTS).

Engr: DR. HUMAYOON FAROOQ  
STRUCTURES  
FLA. PE # 16557  
C.A.N. 3538

DEC 10 2007

Approved as complying with the Florida Building Code  
Date: JAN 10, 2008  
NOA# 07-1029.04  
Miami Dade Product Control Division  
By: *Mamud Berez*

**AL-FAROOQ CORPORATION**  
ENGINEERS & PRODUCT DEVELOPMENT  
1235 S.W. 87 AVE  
MIAMI, FLORIDA 33174  
TEL. (305) 264-8100 FAX. (305) 262-6978  
COMP-ANL\W07-69KUI

FIRENZE-VENEZIA-ROMA ALUM FIXED WDW. (L.M.I.)

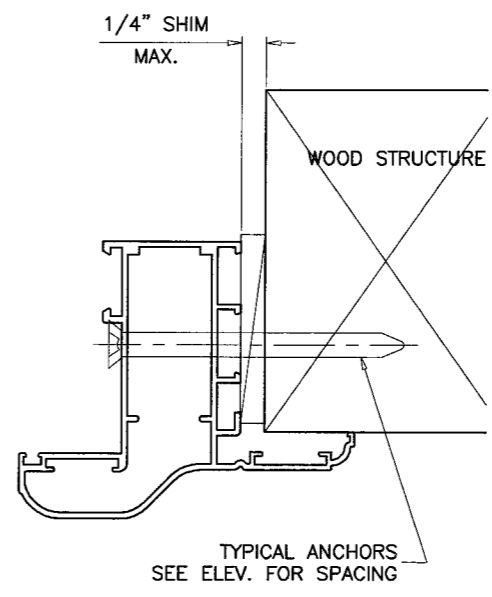
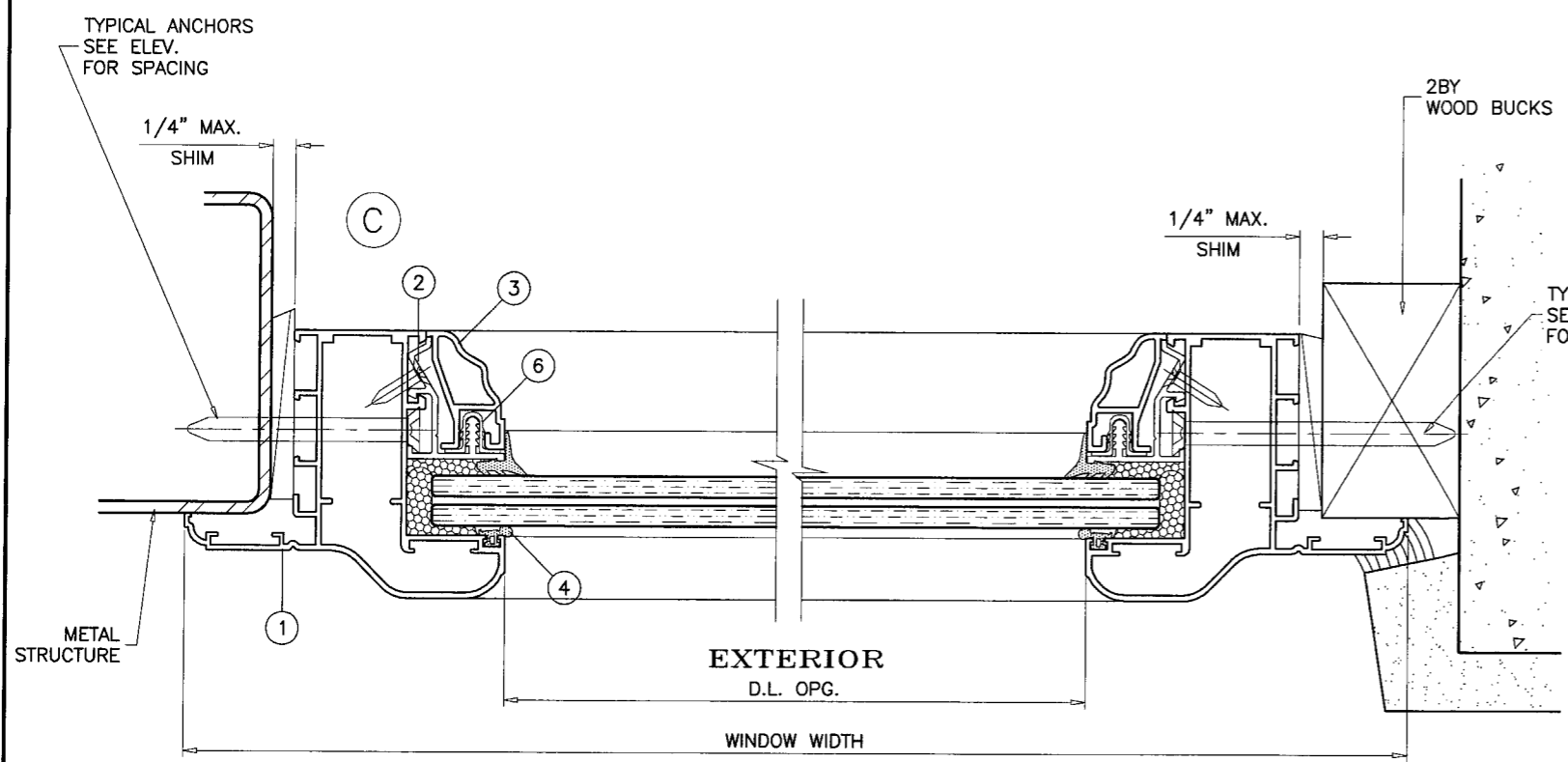
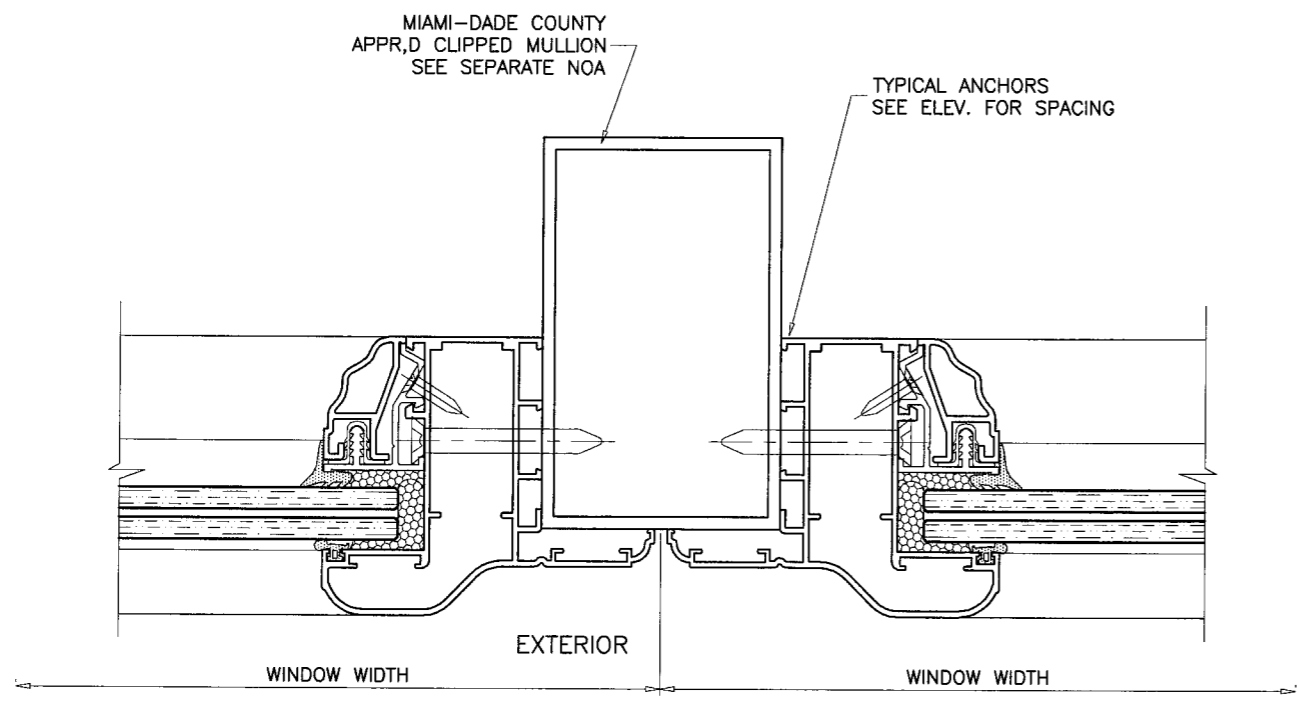
**KORUS USA INC.**  
3607 N. 29TH AVE.  
HOLLYWOOD, FL. 33020  
TEL. (954) 888-9370 FAX. (954) 888-9371

| revisions: | no | date | by | description |
|------------|----|------|----|-------------|
|            |    |      |    |             |
|            |    |      |    |             |
|            |    |      |    |             |

date: 09-13-07  
scale: -  
dr. by: HAMID  
chk. by:

drawing no.  
**W07-69**  
sheet 2 of 5





Engr: DR. HUMAYOUN FAROOQ  
 STRUCTURES  
 FLA. PE # 16557  
 C.A.N. 3538

*DEC 10 2007*

Approved as complying with the  
 Florida Building Code  
 Date JAN. 10, 2008  
 NOAH 07-1029.04  
 Miami Dade Product Control  
 Division  
 By: *Maenel Perez*

| revisions: |                     |
|------------|---------------------|
| no         | date by description |
|            |                     |
|            |                     |
|            |                     |
|            |                     |

|                |                  |               |          |
|----------------|------------------|---------------|----------|
| date: 09-13-07 | scale: 1/2" = 1" | dr. by: HAMID | chk. by: |
|----------------|------------------|---------------|----------|

drawing no.  
**W07-69**

