



BUILDING CODE COMPLIANCE OFFICE (BCCO)
PRODUCT CONTROL DIVISION

MIAMI-DADE COUNTY, FLORIDA
METRO-DADE FLAGLER BUILDING
140 WEST FLAGLER STREET, SUITE 1603
MIAMI, FLORIDA 33130-1563
(305) 375-2901 FAX (305) 375-2908

NOTICE OF ACCEPTANCE (NOA)

www.buldingcodeonline.com

Korus USA, Inc.
3607 North 29th Avenue
Hollywood, FL 33020

SCOPE:

This NOA is being issued under the applicable rules and regulations governing the use of construction materials. The documentation submitted has been reviewed by Miami-Dade County Product Control Division and accepted by the Board of Rules and Appeals (BORA) to be used in Miami Dade County and other areas where allowed by the Authority Having Jurisdiction (AHJ).

This NOA shall not be valid after the expiration date stated below. The Miami-Dade County Product Control Division (In Miami Dade County) and/or the AHJ (in areas other than Miami Dade County) reserve the right to have this product or material tested for quality assurance purposes. If this product or material fails to perform in the accepted manner, the manufacturer will incur the expense of such testing and the AHJ may immediately revoke, modify, or suspend the use of such product or material within their jurisdiction. BORA reserves the right to revoke this acceptance, if it is determined by Miami-Dade County Product Control Division that this product or material fails to meet the requirements of the applicable building code.

This product is approved as described herein, and has been designed to comply with the Florida Building Code, including the High Velocity Hurricane Zone.

DESCRIPTION: Series Firenze – Venezia – Roma Outswing Aluminum Casement Window – L.M.I.

APPROVAL DOCUMENT: Drawing No. **W07-70**, titled "Firenze – Venezia - Roma Alum. Casement Wdw. (L.M.I.)", sheets 1 through 7 of 7, dated 09/13/07, prepared by Al-Farooq Corporation, signed and sealed by Humayoun Farooq, P.E., bearing the Miami-Dade County Product Control Approval stamp with the Notice of Acceptance number and approval date by the Miami-Dade County Product Control Division.

MISSILE IMPACT RATING: Large and Small Missile Impact Resistant

LABELING: Each unit shall bear a permanent label with the manufacturer's name or logo, city, state and following statement: "Miami-Dade County Product Control Approved", unless otherwise noted herein.

RENEWAL of this NOA shall be considered after a renewal application has been filed and there has been no change in the applicable building code negatively affecting the performance of this product.

TERMINATION of this NOA will occur after the expiration date or if there has been a revision or change in the materials, use, and/or manufacture of the product or process. Misuse of this NOA as an endorsement of any product, for sales, advertising or any other purposes shall automatically terminate this NOA. Failure to comply with any section of this NOA shall be cause for termination and removal of NOA.

ADVERTISEMENT: The NOA number preceded by the words Miami-Dade County, Florida, and followed by the expiration date may be displayed in advertising literature. If any portion of the NOA is displayed, then it shall be done in its entirety.

INSPECTION: A copy of this entire NOA shall be provided to the user by the manufacturer or its distributors and shall be available for inspection at the job site at the request of the Building Official. This NOA consists of this page 1 and evidence page E-1, as well as approval document mentioned above. The submitted documentation was reviewed by **Manuel Perez, P.E.**



NOA No. 07-1029.03
Expiration Date: December 27, 2012
Approval Date: December 27, 2007
Page 1

NOTICE OF ACCEPTANCE: EVIDENCE SUBMITTED

A. DRAWINGS

1. Manufacturer's die drawings and sections.
2. Drawing No **W07-70**, Sheets 1 through 7 of 7, titled "Firenze – Venezia - Roma Alum. Casement Wdw. (L.M.I.)", dated 09/13/07, prepared by Al-Farooq Corporation, signed and sealed by Humayoun Farooq, P.E.

B. TESTS

1. Test reports on:
 - 1) Air Infiltration Test, per FBC, TAS 202-94
 - 2) Uniform Static Air Pressure Test, Loading per FBC TAS 202-94
 - 3) Water Resistance Test, per FBC, TAS 202-94
 - 4) Large Missile Impact Test per FBC, TAS 201-94
 - 5) Cyclic Wind Pressure Loading per FBC, TAS 203-94
 - 6) Forced Entry Test, per ASTM F588, FBC, TAS 202-94along with marked-up drawings and installation diagram of aluminum venting and stationary casement windows, **specimens #3, #4, #6A & #6B**, prepared by Hurricane test Laboratory LLC, Test Reports No. **HTL-0458-0108-07** and **HTL-0458-0604-07**, dated 1/9/07 to 6/13/07, signed and sealed by Vinu J. Abraham, P.E.

C. CALCULATIONS

1. Anchor verification calculations and structural analysis, complying with FBC-2004, prepared by Al-Farooq Corporation, dated 09/13/07, signed and sealed by Humayoun Farooq, P.E. **Complies with ASTM E1300-02**

D. QUALITY ASSURANCE

1. Miami Dade Building Code Compliance Office (BCCO).

E. MATERIAL CERTIFICATIONS

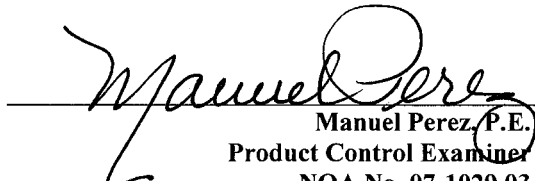
1. Notice of Acceptance No. **06-1205.10** issued to E.I. DuPont DeNemours & Co., Inc. for their "**DuPont Sentry Glass ® Plus**" dated 02/15/07, expiring on 01/14/08.
2. Notice of Acceptance No. **03-0415.13** issued to Solutia Inc. for their "**Vanceva Composites used for lamination of glass**" dated 12/11/03, expiring on 12/11/08.

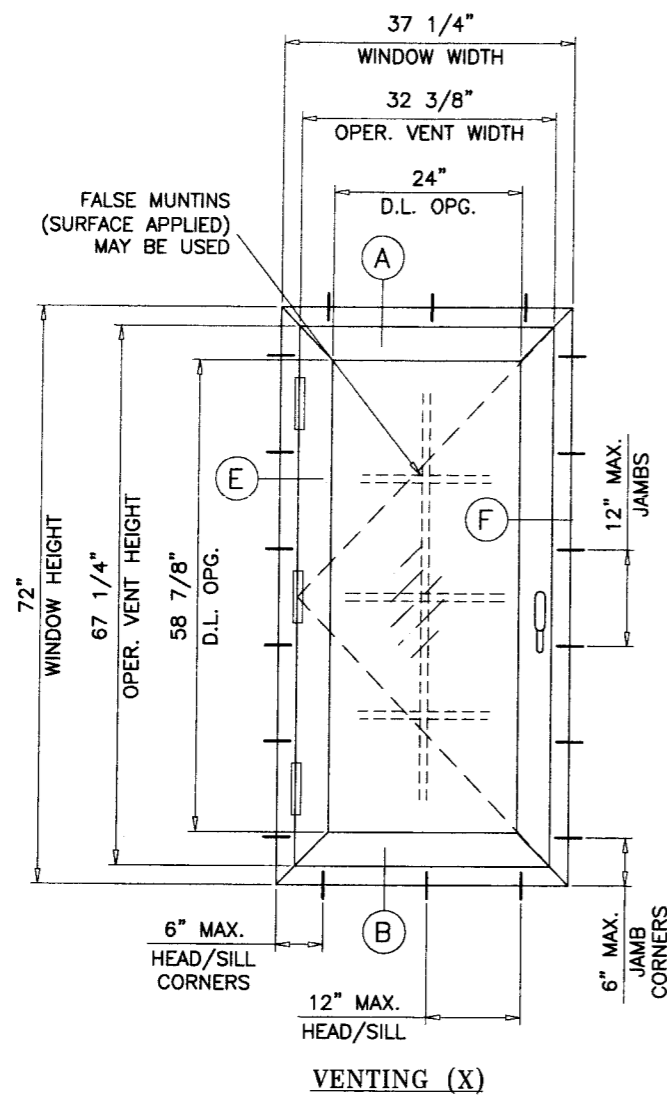
F. STATEMENTS

1. Statement letter of conformance, dated September 19, 2007, signed and sealed by Humayoun Farooq, P.E.
2. Statement letter of no financial interest, dated September 19, 2007, signed and sealed by Humayoun Farooq, P.E.
3. Laboratory compliance letter for Test Report no. HTL- 07003, issued by Hurricane Test Laboratory, Inc., dated 10/08/07, signed and sealed by Vinu J. Abraham, P.E.

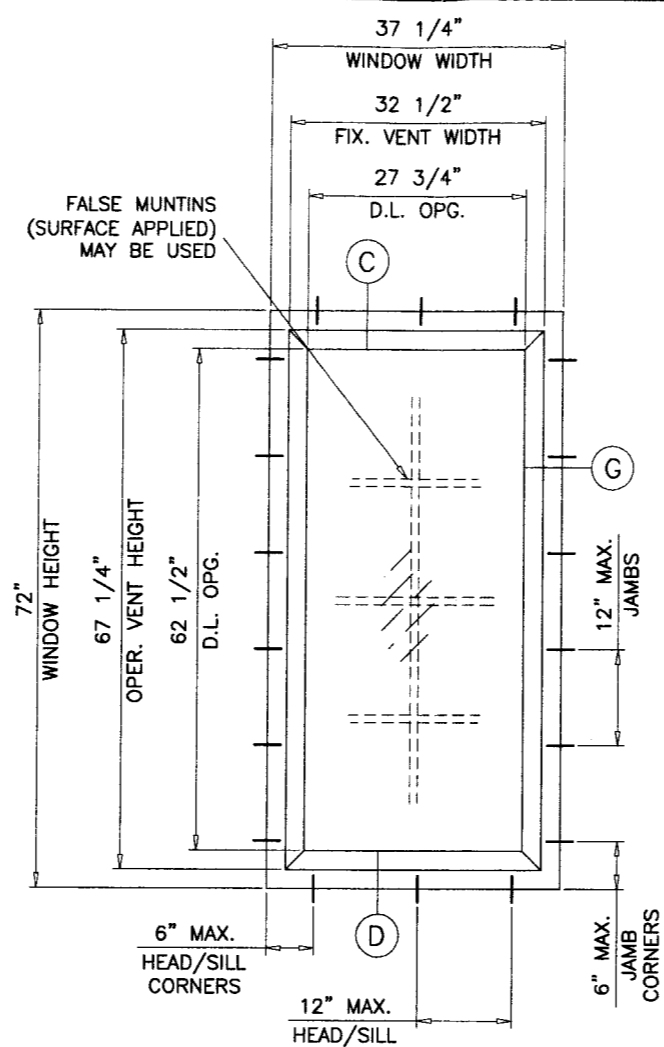
G. OTHER

1. None.

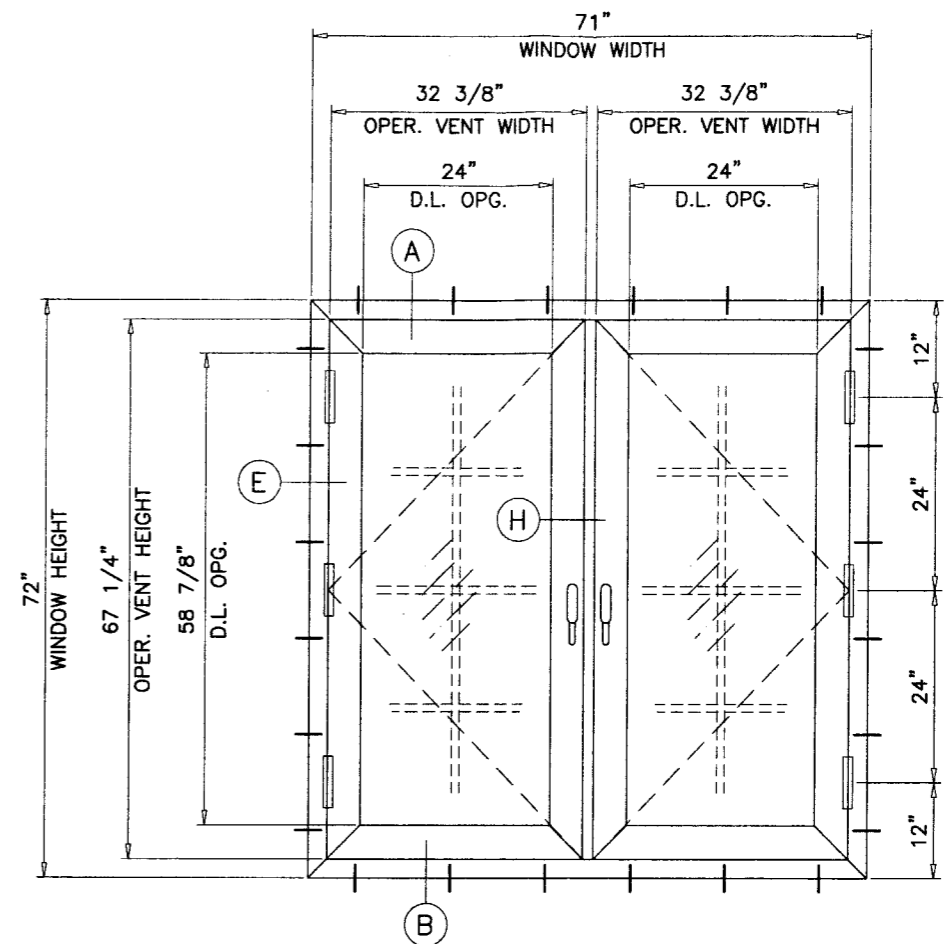

Manuel Perez, P.E.
Product Control Examiner
NOA No. 07-1029.03
Expiration Date: December 27, 2012
Approval Date: December 27, 2007



VENTING (X)



STATIONARY (O)



DOUBLE (XX)

TYPICAL ELEVATIONS

FIRENZE-VENEZIA-ROMA
ALUMINUM CASEMENT WINDOW

DESIGN LOAD RATINGS FOR THESE WINDOWS TO BE AS PER CHARTS SHOWN ON SHEET 3.

APPROVAL APPLIES TO SINGLE, DOUBLE OR TRIPLE WINDOWS IN ANY COMBINATIONS OF VENTING OR STATIONARY UNITS.

ALSO COMBINATIONS OF CASMT/CASMT OR CASMT WITH OTHER WINDOW TYPES IN MODULES OF TWO OR MORE WINDOWS USING MIAMI-DADE COUNTY APPROVED MULLIONS IN BETWEEN.

LOWER DESIGN PRESSURE FROM WINDOWS OR MULLION APPROVAL WILL APPLY TO ENTIRE SYSTEM.

THIS PRODUCT HAS BEEN DESIGNED AND TESTED TO COMPLY WITH THE REQUIREMENTS OF THE FLORIDA BUILDING CODE 2004 EDITION INCLUDING HIGH VELOCITY HURRICANE ZONE (HVHZ).

WOOD BUCKS BY OTHERS, MUST BE ANCHORED PROPERLY TO TRANSFER LOADS TO THE STRUCTURE.

ANCHORS SHALL BE AS LISTED, SPACED AS SHOWN ON DETAILS, ANCHORS EMBEDMENT TO BASE MATERIAL SHALL BE BEYOND WALL DRESSING OR STUCCO.

ANCHORING OR LOADING CONDITIONS NOT SHOWN IN THESE DETAILS ARE NOT PART OF THIS APPROVAL.

A LOAD DURATION INCREASE IN ALLOWABLE STRESS IS USED IN DESIGN OF ANCHORS INTO WOOD ONLY.

MATERIALS INCLUDING BUT NOT LIMITED TO STEEL/METAL SCREWS, THAT COME INTO CONTACT WITH OTHER DISSIMILAR MATERIALS SHALL MEET THE REQUIREMENTS OF 2004 FLORIDA BLDG. CODE SECTION 2003.8.4.

THESE WINDOWS ARE RATED FOR LARGE MISSILE IMPACT. SHUTTERS ARE NOT REQUIRED.

Engr: DR. HUMAYOUN FAROOQ
STRUCTURES
FLA. PE # 16557
C.A.N. 3538

DEC 23 2007

Approved as complying with the Florida Building Code
Date DEC 27 2007
NOA# 07-1028-03
Miami Dade Product Control
Division
By Manuel Perez

afc

AL-FAROOQ CORPORATION
ENGINEERS & PRODUCT DEVELOPMENT
1235 S.W. 87 AVE
MIAMI, FLORIDA 33174
TEL. (305) 264-8100 FAX. (305) 262-6978
COMP-ANL\W07-70KUI

FRENZE-VENEZIA-ROMA ALUM CASEMENT WDW. (L.M.I.)

KORUS USA INC.
3607 N. 29TH AVE.
HOLLYWOOD, FL. 33020
TEL. (954) 888-9370 FAX. (954) 888-9371

no.	date	by	description

date: 09-13-07
scale: 1/2"=1'-0"
dr. by: HAMID
chk. by:

drawing no.
W07-70

sheet 1 of 7

SEALANTS:

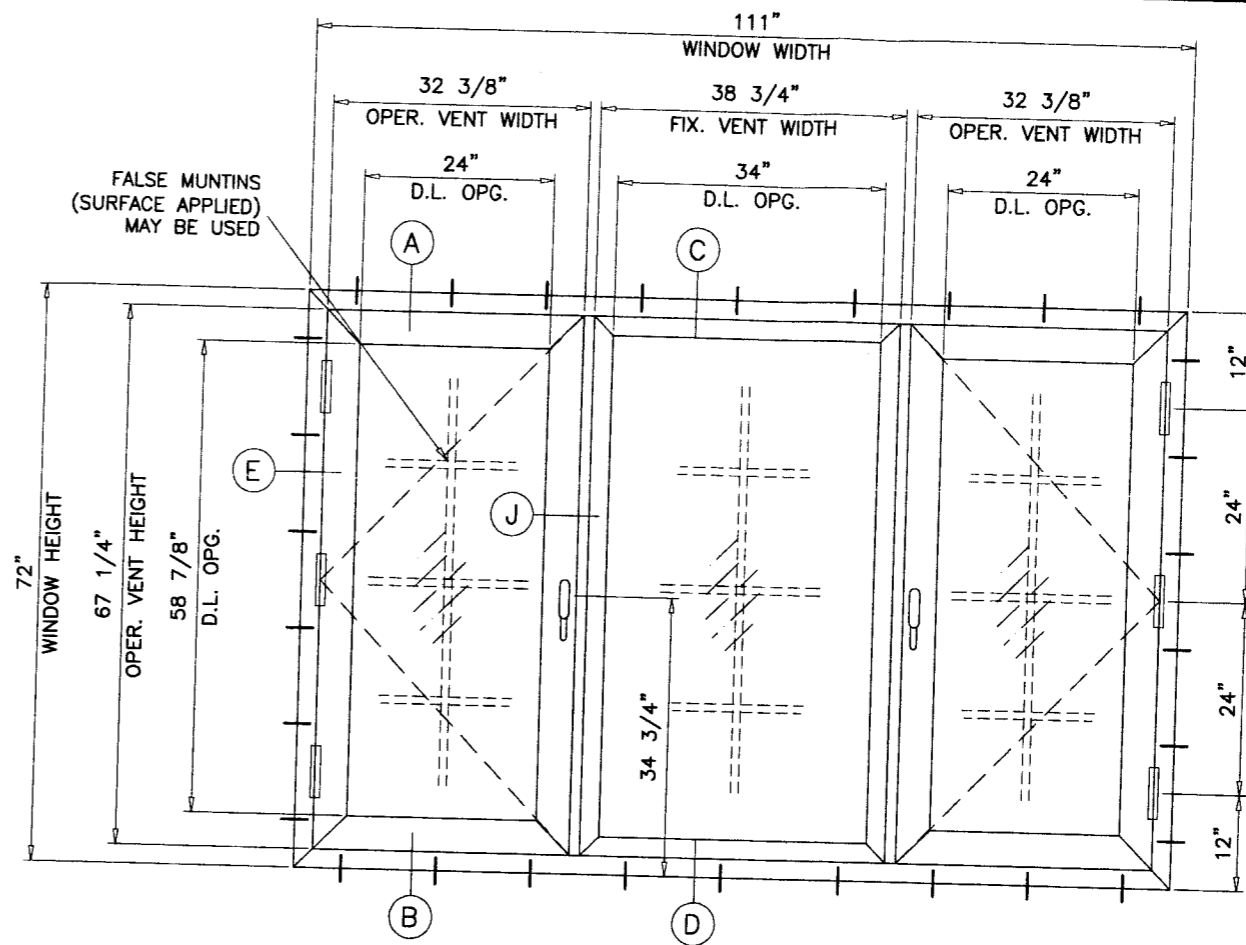
VENT CORNERS SEALED WITH DOW CORNING 899 SEALANT.

HINGES:

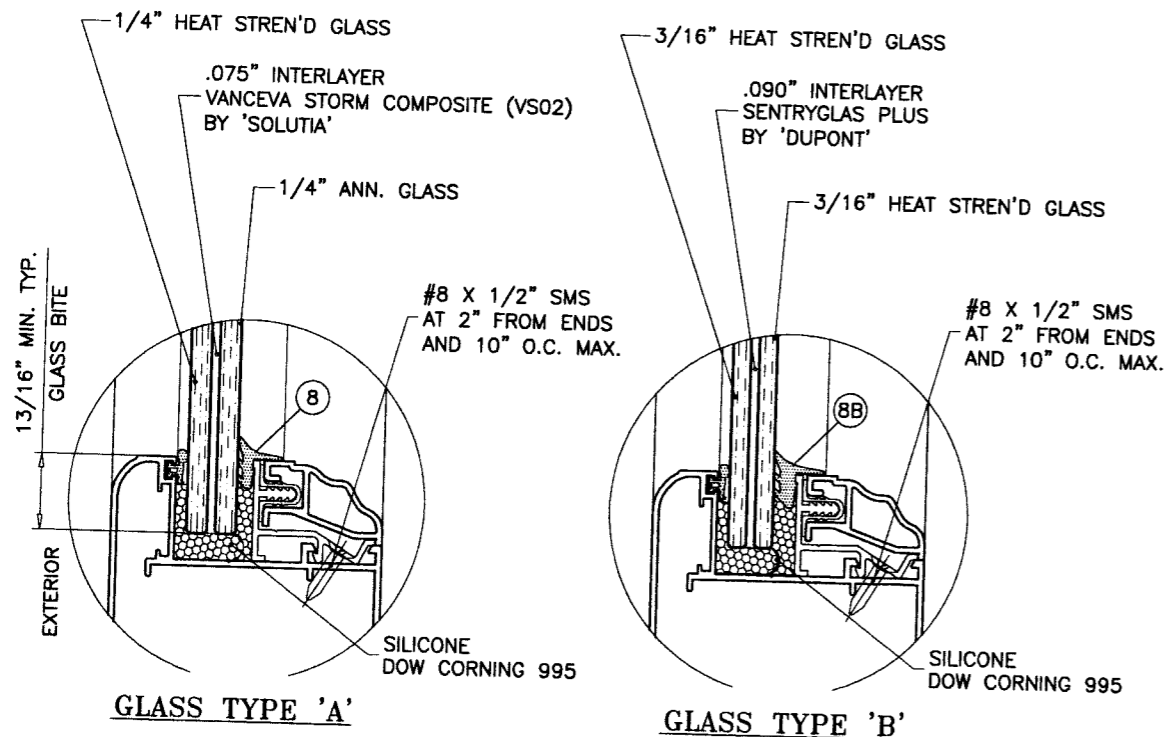
(3) PER OPERATING VENT EQUALLY SPACED,
EACH HASP FASTENED TO VENT AND FRAME WITH (2) #14 X 3/8" SMS

LOCKS:

10 POINT LOCK ASSEMBLY BY SIEGENIA WITH ADJACENT KEEPERS
(3) KEEPERS AT HEAD
(3) KEEPERS AT SILL
(4) KEEPERS AT JAMB
EACH KEEPER FASTENED TO FRAME WITH #8 X 5/8" SMS



TRIPLE (XOX)



GLAZING OPTIONS

afc
AL-FAROOQ CORPORATION
 ENGINEERS & PRODUCT DEVELOPMENT
 1235 S.W. 87 AVE
 MIAMI, FLORIDA 33174
 TEL. (305) 264-8100 FAX. (305) 262-6978
 COMP-ANL W07-70KUI

FRENZE-VENEZIA-ROMA ALUM CASEMENT WDW. (L.M.I.)
KORUS USA INC.
 3607 N. 29TH AVE.
 HOLLYWOOD, FL. 33020
 TEL. (954) 888-9370 FAX. (954) 888-9371

revisions:	no	date	description

Engr. DR. HUMAYOUN FAROOQ
 STRUCTURES
 FLA. PE # 16557
 C.A.N. 3538
 OCT 23 2007

Approved as complying with the
 Florida Building Code
 Date DEC 27 2007
 NOA# 07-1029.03
 Miami Dade Product Control
 Division
 By Manuel Perez

date: 09-13-07
 scale: 1/2"=1'-0"
 dr. by: HAMID
 chk. by:
 drawing no.
W07-70
 sheet 2 of 7

DESIGN LOAD CAPACITY - PSF (SINGLE UNITS) VENTING (X), STATIONARY (O)					
WINDOW DIMS.		GLASS TYPE 'A'		GLASS TYPE 'B'	
WIDTH	HEIGHT	EXT. (+)	INT. (-)	EXT. (+)	INT. (-)
19-1/8"	26" (3)	75.0	75.0	75.0	75.0
26-1/2"		75.0	75.0	75.0	75.0
37"		75.0	75.0	75.0	75.0
19-1/8"	38-3/8" (4)	75.0	75.0	75.0	75.0
26-1/2"		75.0	75.0	75.0	75.0
37"		75.0	75.0	75.0	75.0
19-1/8"	50-5/8" (5)	75.0	75.0	75.0	75.0
26-1/2"		75.0	75.0	75.0	75.0
37"		75.0	75.0	75.0	75.0
19-1/8"	63" (6)	75.0	75.0	75.0	75.0
26-1/2"		75.0	75.0	75.0	75.0
37"		75.0	75.0	75.0	75.0
19-1/8"	74-1/4" (7)	75.0	75.0	75.0	75.0
26-1/2"		75.0	75.0	75.0	75.0
37"		75.0	75.0	75.0	75.0
18"	24" (2)	75.0	75.0	75.0	75.0
24"		75.0	75.0	75.0	75.0
30"		75.0	75.0	75.0	75.0
36"		75.0	75.0	75.0	75.0
18"	36" (3)	75.0	75.0	75.0	75.0
24"		75.0	75.0	75.0	75.0
30"		75.0	75.0	75.0	75.0
36"		75.0	75.0	75.0	75.0
18"	48" (4)	75.0	75.0	75.0	75.0
24"		75.0	75.0	75.0	75.0
30"		75.0	75.0	75.0	75.0
36"		75.0	75.0	75.0	75.0
18"	60" (5)	75.0	75.0	75.0	75.0
24"		75.0	75.0	75.0	75.0
30"		75.0	75.0	75.0	75.0
36"		75.0	75.0	75.0	75.0
18"	72" (6)	75.0	75.0	75.0	75.0
24"		75.0	75.0	75.0	75.0
30"		75.0	75.0	75.0	75.0

() = NO. OF ANCHORS PER JAMB

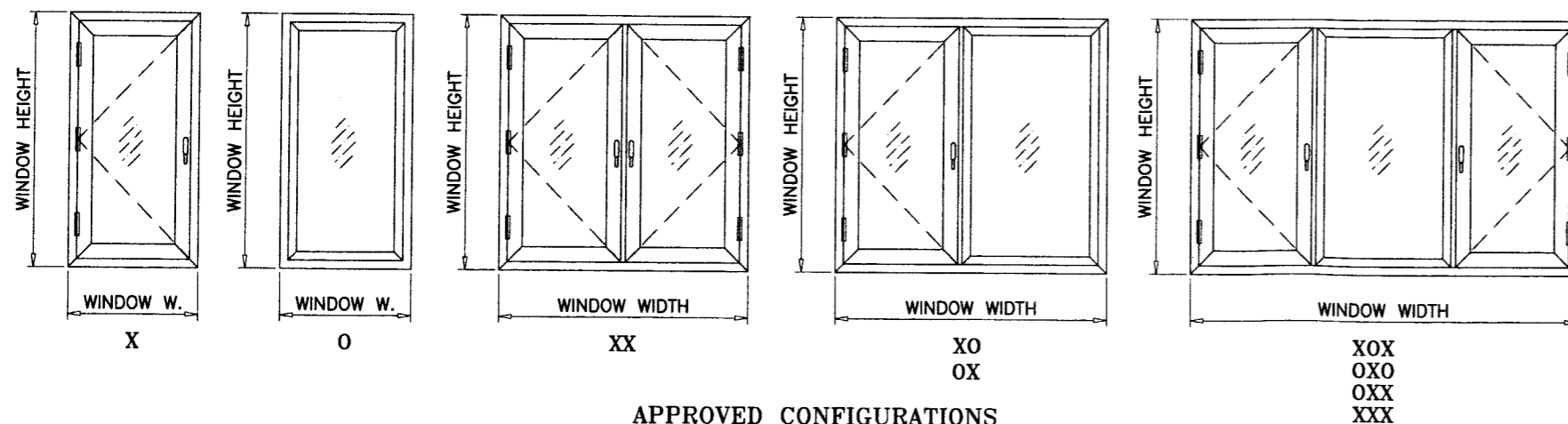
DESIGN LOAD CAPACITY - PSF (TRIPLE UNITS) XOX, OXO, OXX OR XXX					
WINDOW DIMS.		GLASS TYPE 'A'		GLASS TYPE 'B'	
WIDTH	HEIGHT	EXT. (+)	INT. (-)	EXT. (+)	INT. (-)
111"	72" (6)	75.0	75.0	75.0	75.0

() = NO. OF ANCHORS PER JAMB

NOTE:
GLASS CAPACITIES ON THIS SHEET ARE
BASED ON ASTM E1300-02 (3 SEC. GUSTS)
AND FLORIDA BUILDING COMMISSION
DECLARATORY STATEMENT DCA05-DEC-219

DESIGN LOAD CAPACITY - PSF (DOUBLE UNITS) XX, OX OR XO					
WINDOW DIMS.		GLASS TYPE 'A'		GLASS TYPE 'B'	
WIDTH	HEIGHT	EXT. (+)	INT. (-)	EXT. (+)	INT. (-)
26-1/2"	26" (3)	75.0	75.0	75.0	75.0
37"		75.0	75.0	75.0	75.0
53-1/8"		75.0	75.0	75.0	75.0
74"		75.0	75.0	75.0	75.0
26-1/2"	38-3/8" (4)	75.0	75.0	75.0	75.0
37"		75.0	75.0	75.0	75.0
53-1/8"		75.0	75.0	75.0	75.0
74"		75.0	75.0	75.0	75.0
26-1/2"	50-5/8" (5)	75.0	75.0	75.0	75.0
37"		75.0	75.0	75.0	75.0
53-1/8"		75.0	75.0	75.0	75.0
74"		75.0	75.0	75.0	75.0
26-1/2"	63" (6)	75.0	75.0	75.0	75.0
37"		75.0	75.0	75.0	75.0
53-1/8"		75.0	75.0	75.0	75.0
74"		75.0	75.0	75.0	75.0
26-1/2"	74-1/4" (7)	75.0	75.0	75.0	75.0
37"		75.0	75.0	75.0	75.0
53-1/8"		75.0	75.0	75.0	75.0
74"		75.0	75.0	75.0	75.0
24"	24" (2)	75.0	75.0	75.0	75.0
36"		75.0	75.0	75.0	75.0
48"		75.0	75.0	75.0	75.0
60"		75.0	75.0	75.0	75.0
72"		75.0	75.0	75.0	75.0
24"	36" (3)	75.0	75.0	75.0	75.0
36"		75.0	75.0	75.0	75.0
48"		75.0	75.0	75.0	75.0
60"		75.0	75.0	75.0	75.0
72"		75.0	75.0	75.0	75.0
24"	48" (4)	75.0	75.0	75.0	75.0
36"		75.0	75.0	75.0	75.0
48"		75.0	75.0	75.0	75.0
60"		75.0	75.0	75.0	75.0
72"		75.0	75.0	75.0	75.0
24"	60" (5)	75.0	75.0	75.0	75.0
36"		75.0	75.0	75.0	75.0
48"		75.0	75.0	75.0	75.0
60"		75.0	75.0	75.0	75.0
72"		75.0	75.0	75.0	75.0
24"	72" (6)	75.0	75.0	75.0	75.0
36"		75.0	75.0	75.0	75.0
48"		75.0	75.0	75.0	75.0
60"		75.0	75.0	75.0	75.0
72"		75.0	75.0	75.0	75.0

() = NO. OF ANCHORS PER JAMB



Engr: DR. HUMAYOUN FAROOQ
STRUCTURES
FLA. PE # 16557
C.A.N. 3538

Approved as complying with the
Florida Building Code
Date DEC 27 2007
NOA# 07-1029-03
Miami Dade Product Control
By Manuel Perez

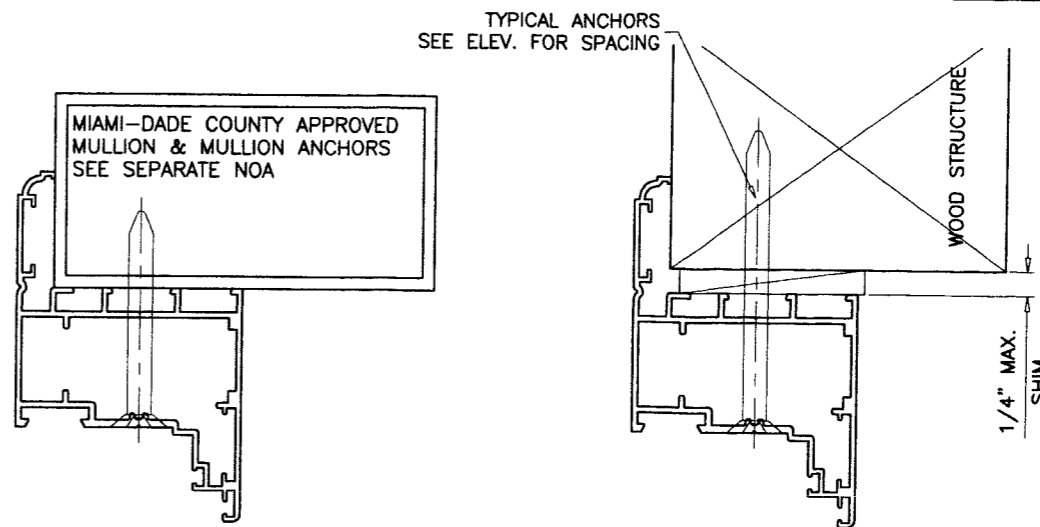
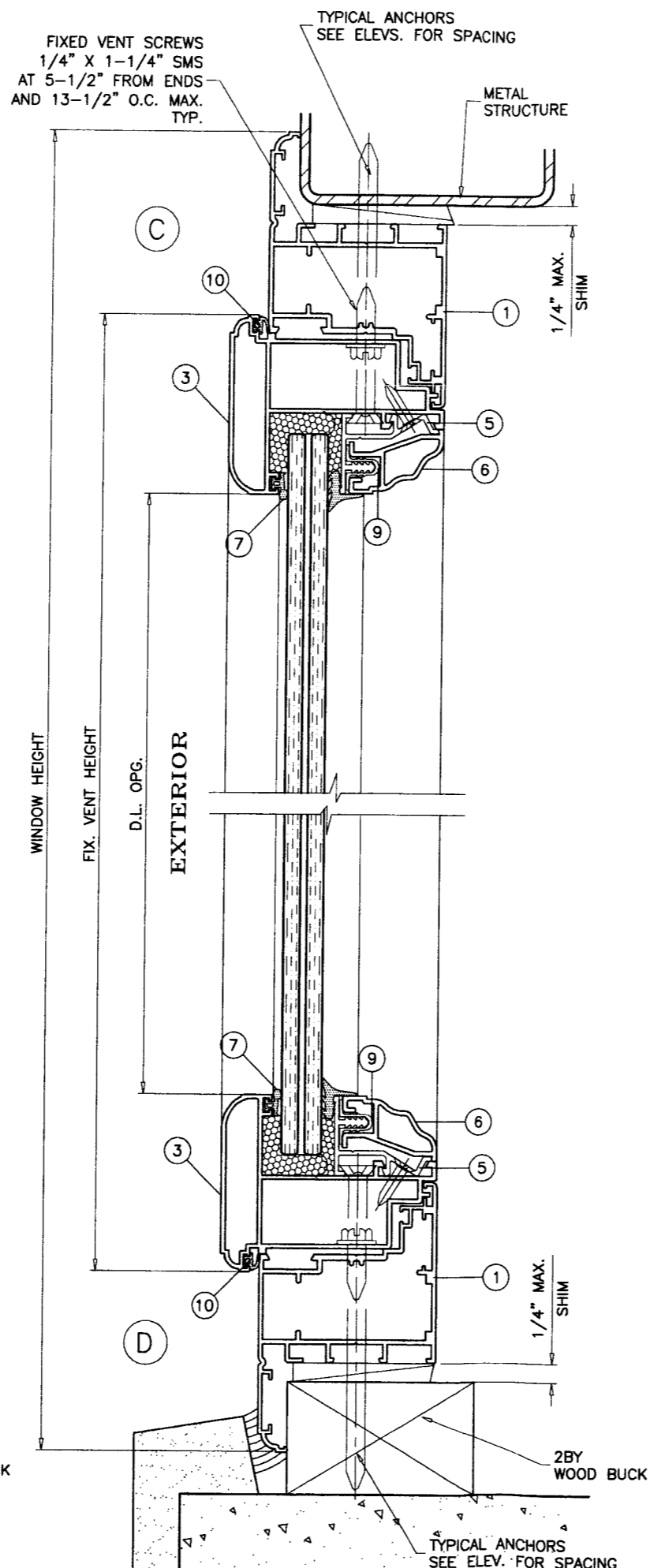
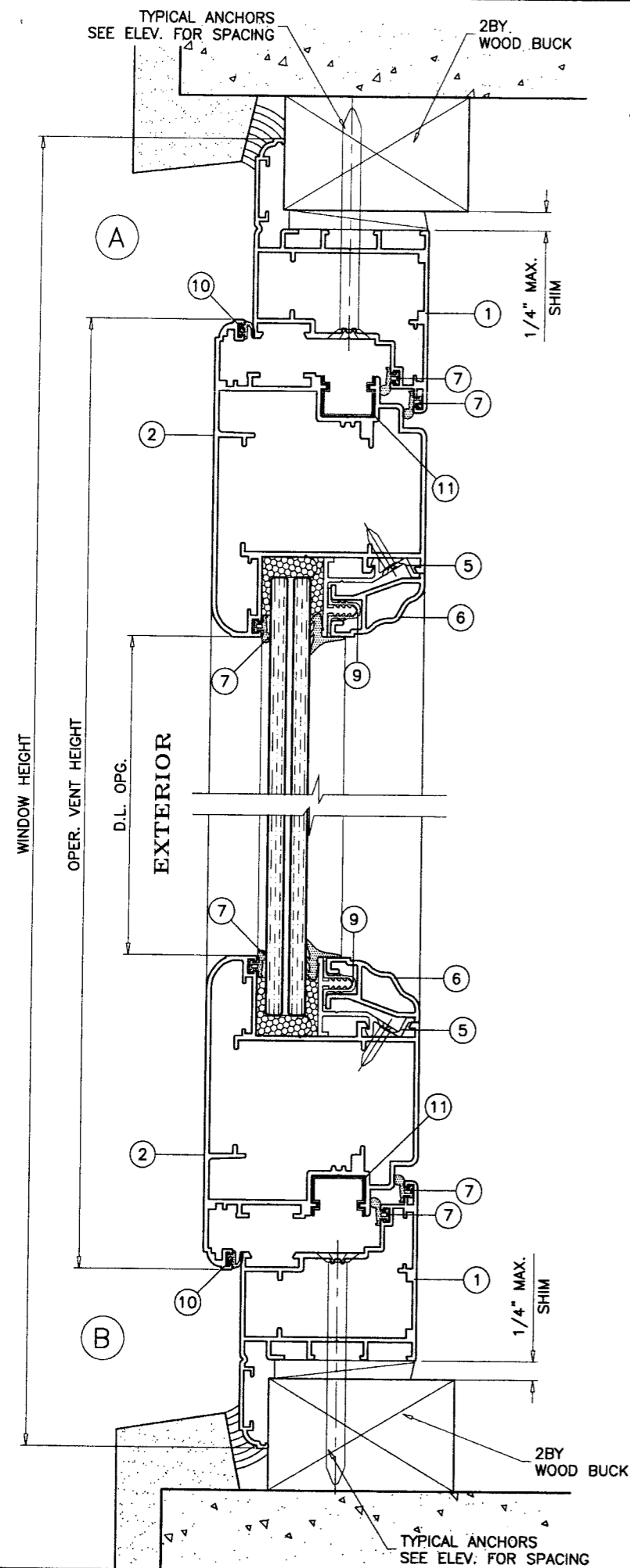
af c
AL-FAROOQ CORPORATION
ENGINEERS & PRODUCT DEVELOPMENT
1235 S.W. 87 AVE
MIAMI, FLORIDA 33174
TEL. (305) 264-8100 FAX. (305) 262-6978
COMP-ANL\W07-70KUJ

FIRENZE-VENEZIA-ROMA ALUM CASEMENT WDW. (L.M.I.)
KORUS USA INC.
3607 N. 29TH AVE.
HOLLYWOOD, FL. 33020
TEL. (954) 888-9370 FAX. (954) 888-9371

no	date	description

date: 09-13-07
scale: 1/2"=1'-0"
dr. by: HAMID
chk. by:

drawing no.
W07-70
sheet 3 of 7



WOOD BUCKS AND METAL STRUCTURE NOT BY KORUS MUST SUSTAIN LOADS IMPOSED BY GLAZING SYSTEM AND TRANSFER THEM TO THE BUILDING STRUCTURE.

TYPICAL ANCHORS: SEE ELEV. FOR SPACING
1/4" TAPCONS BY 'ELCO'
 INTO 2BY WOOD BUCKS OR WOOD STRUCTURES
 1-3/8" MIN. PENETRATION INTO WOOD
1/4" DIA. TEKS OR SELF DRILLING SCREWS
 INTO METAL STRUCTURES
 STEEL : 12 GA. MIN. (Fy = 36 KSI MIN.)
 ALUMINUM : 1/8" THK. MIN. (6063-T5 MIN.)
 (STEEL IN CONTACT WITH ALUMINUM TO BE PLATED OR PAINTED)
#14 SMS OR SELF DRILLING SCREWS
 INTO MIAMI-DADE COUNTY APPROVED MULLIONS (MIN. THK. = .090")
 (NO SHIM SPACE)
TYPICAL EDGE DISTANCE
 INTO CONCRETE AND MASONRY = 1-1/2" MIN.
 INTO WOOD STRUCTURE = 3/4" MIN.
 INTO METAL STRUCTURE = 1/2" MIN.
SEALANTS:
 VENT CORNERS SEALED WITH DOW CORNING 899 SEALANT.

Engr: DR. HUMAYOUN FAROOQ
 STRUCTURES
 FLA. PE # 16557
 C.A.N. 3538

Approved as complying with the
 Florida Building Code
 Date **DEC 27 2007**
 NOA# **07-1029-03**
 Miami Dade Product Control
 Division
 By *Manuel Perez*

H 067 2 3 2007

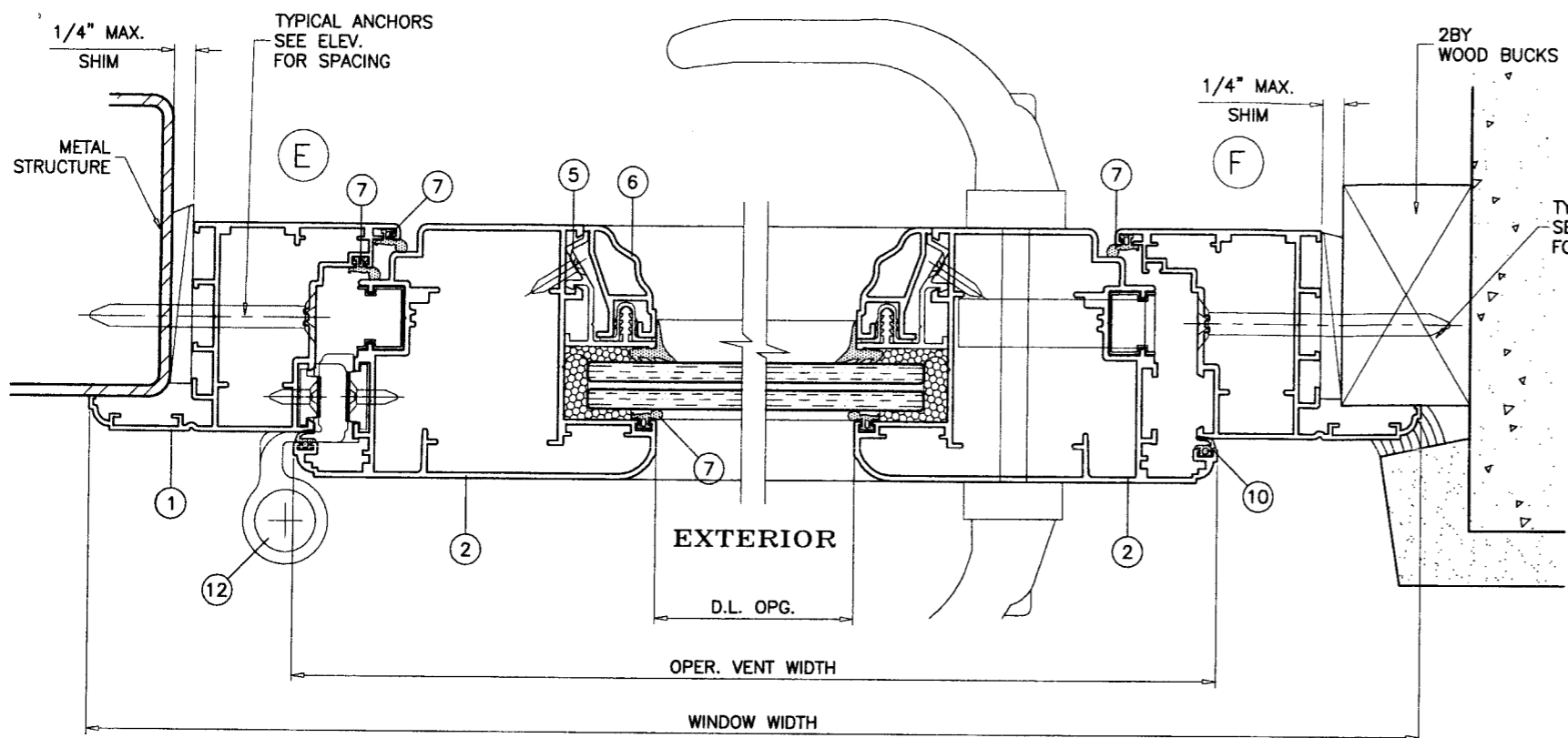
af c
AL-FAROOQ CORPORATION
 ENGINEERS & PRODUCT DEVELOPMENT
 1235 S.W. 87 AVE
 MIAMI, FLORIDA 33174
 TEL. (305) 264-8100 FAX. (305) 262-6978
 COMP-ANL W07-70KUI

FIRENZE-VENEZIA-ROMA ALUM CASEMENT WDW. (L.M.I.)
KORUS USA INC.
 3607 N. 29TH AVE.
 HOLLYWOOD, FL. 33020
 TEL. (954) 888-9370 FAX. (954) 888-9371

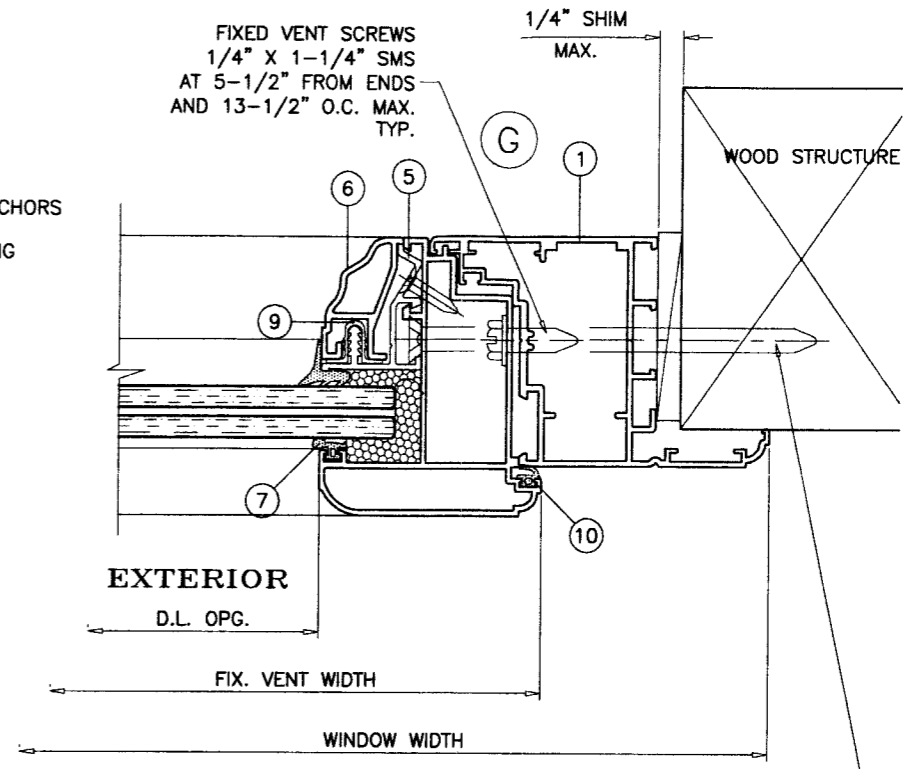
revisions:	no.	date	description

date: 09-13-07
 scale: 1/2" = 1"
 dr. by: HAMID
 chk. by:

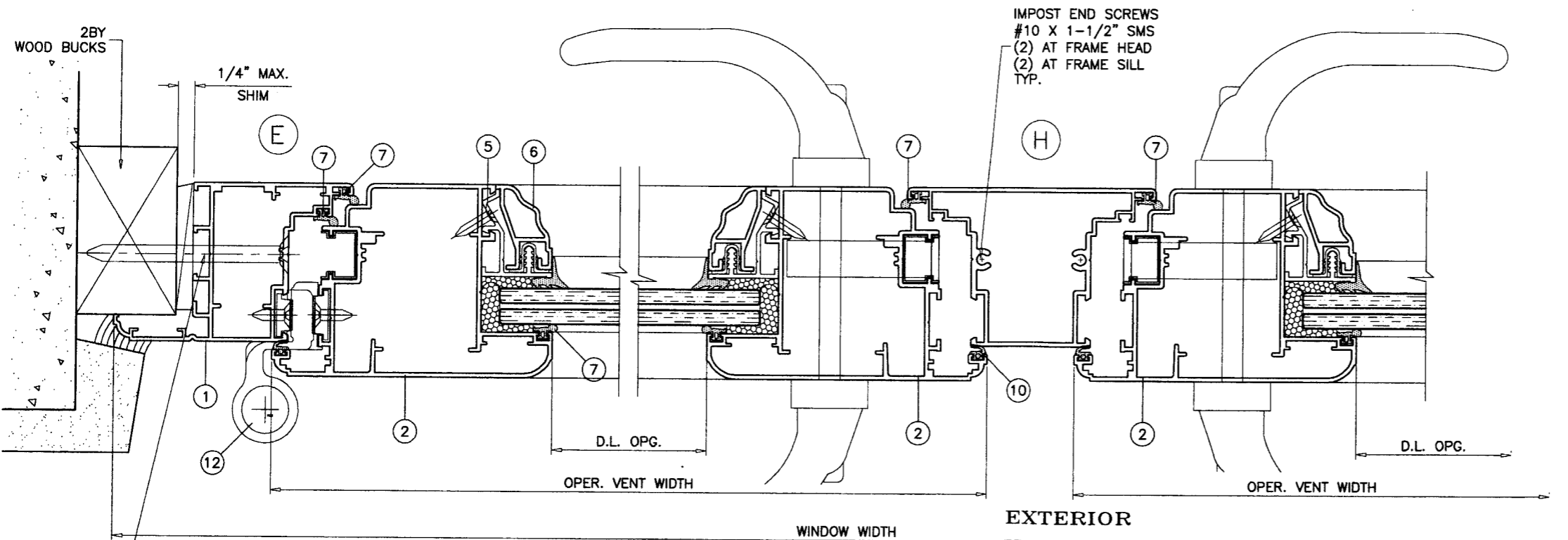
drawing no.
W07-70
 sheet 4 of 7



VENTING (X)



STATIONARY (O)



DOUBLE (XX)

af c
AL-FAROOQ CORPORATION
 ENGINEERS & PRODUCT DEVELOPMENT
 1235 S.W. 87 AVE
 MIAMI, FLORIDA 33174
 TEL (305) 264-8100 FAX (305) 262-6978
 COMP-ANL\W07-70KUI

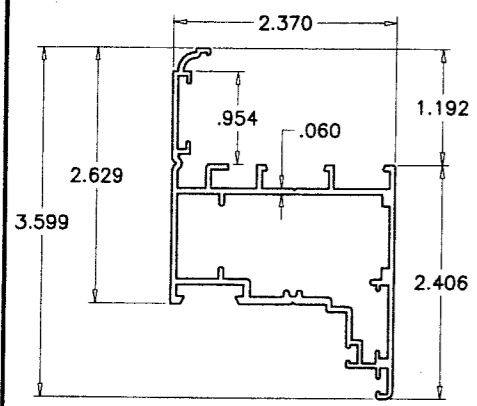
FRENZE-VENEZIA-ROMA ALUM CASEMENT WDW. (L.M.I.)
KORUS USA INC.
 3607 N. 29TH AVE.
 HOLLYWOOD, FL. 33020
 TEL. (954) 888-9370 FAX. (954) 888-9371

Revisions:	
no	date by description

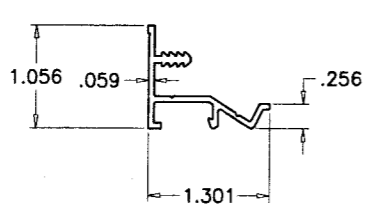
Engr: DR. HUMAYOON FAROOQ
 STRUCTURES
 FLA. PE # 16557
 C.A.N. 3538
 01/23/2007

Approved as complying with the
 Florida Building Code
 Date DEC. 27, 2007
 NOA# 01-1025-03
 Miami Dade Product Control
 Division
 By Manuel Diaz

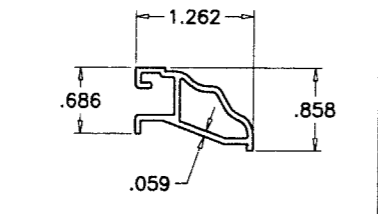
date: 09-13-07
 scale: 1/2" = 1"
 dr. by: HAMID
 chk. by:
 drawing no.
W07-70
 sheet 5 of 7



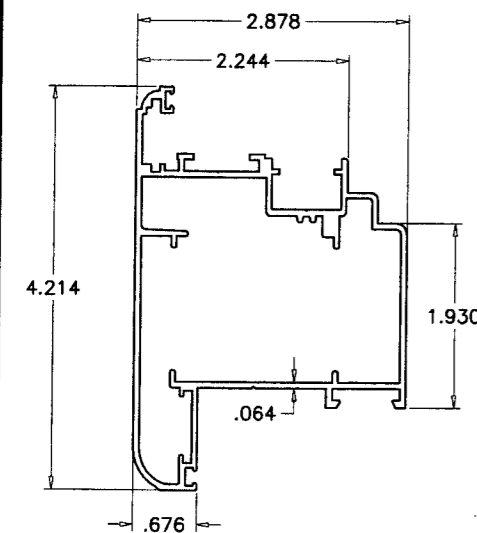
① WINDOW FRAME



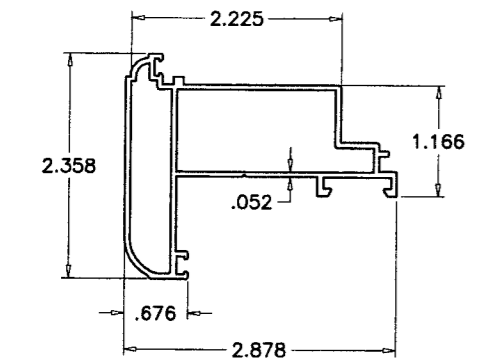
⑤ GLASS STOP



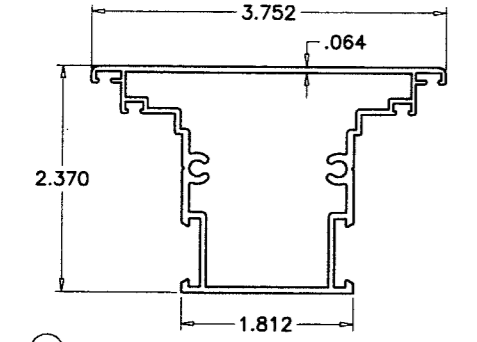
⑥ GLASS STOP COVER



② OPER. VENT FRAME

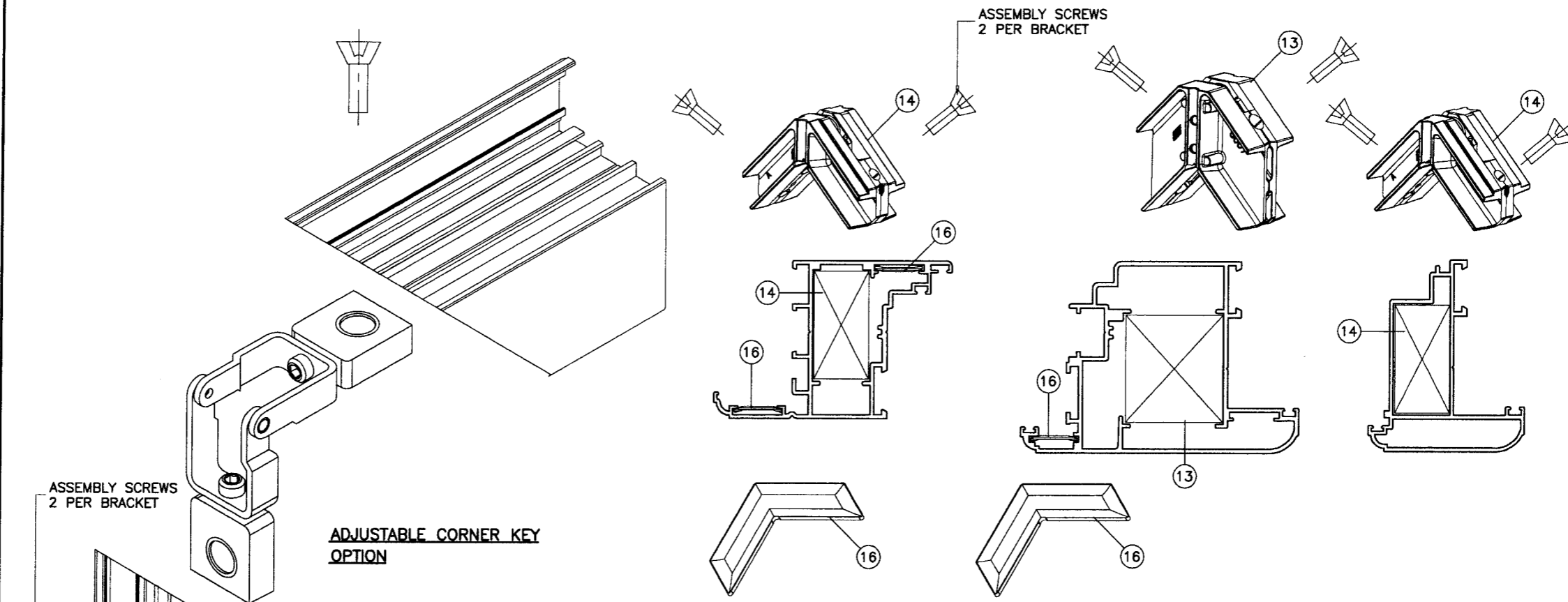


③ FIX. VENT FRAME



④ IMPOST

ITEM	PART #	QUANTITY	DESCRIPTION	MATERIAL	MANF./SUPPLIER/REMARKS
1	KA001	4/ WDW.	WINDOW FRAME	6060-T5	KORUS
2	KA002	4/ VENT	OPER VENT FRAME	6060-T5	KORUS
3	KA010	4/ VENT	FIX. VENT FRAME	6060-T5	KORUS
4	KA009	AS REQD.	IMPOST	6060-T5	KORUS
5	KA006	4/ VENT	GLASS STOP	6060-T5	KORUS
6	KA007	AS REQD.	GLASS STOP COVER	6060-T5	KORUS
7	COP8069	4/ VENT	EXTERIOR GASKET	EPDM	COMPLASTEX
8	COPOUP4W	4/ VENT	INTERIOR GLAZING GASKET	EPDM	COMPLASTEX
8A	COPOUP5W	4/ VENT	INTERIOR GLAZING GASKET	EPDM	COMPLASTEX
8B	COPOUP6W	4/ VENT	INTERIOR GLAZING GASKET	EPDM	COMPLASTEX
9	COP2217	AS REQD.	GLASS STOP HOOK GASKET	EPDM	COMPLASTEX
10	COP02666	AS REQD.	EXTERIOR FRAME GASKET	EPDM	COMPLASTEX
11	ALF7340	AS REQD.	INTERNAL GASKET	EPDM	ALFASOLARE
12	FAP5603A	3/ VENT	HINGE	CAST ALUM	FAPIM
13	MON5007	AS REQD.	VENT JOINING BRACKET	CAST ALUM	MONTICELLI
14	MON5002	AS REQD.	FRAME JOINING BRACKET	CAST ALUM	MONTICELLI
15	SIG896068	AS REQD.	CORNER JOINT	STEEL	SIEGENIA
16	PONK20	AS REQD.	ALIGNING BRACKET	PA6	PONTINA STAMPI



MITER CUT FRAME AND VENT CORNERS

Engr: DR. HUMAYOUN FAROOQ
STRUCTURES
FLA. PE # 16557
C.A.N. 3538

Approved as complying with the
Florida Building Code
Date DEC. 27, 2007
NOA# 07-1029.03
Miami Dade Product Control
Division
By: Manuel Perez

NOV 23 2007

af c
AL-FAROOQ CORPORATION
ENGINEERS & PRODUCT DEVELOPMENT
1235 S.W. 87 AVE
MIAMI, FLORIDA 33174
TEL. (305) 264-8100 FAX. (305) 262-6978
COMP-ANL\W07-70KUI

FRENZE-VENEZIA-ROMA ALUM CASEMENT WDW. (L.M.I.)
KORUS USA INC.
3607 N. 29TH AVE.
HOLLYWOOD, FL. 33020
TEL. (954) 888-9370 FAX. (954) 888-9371

revisions:	no	date	by	description
date:	09-13-07	scale:	1/2" = 1"	
dr. by:	HAMID	chk. by:		
drawing no.	W07-70			
sheet	7 of 7			